

RL Model Series

Residential Water Source Heat Pumps

Engineering
Submittal
Sheet



BOSCH

Overview and Certifications



- ▶ 0.5 to 6 Ton Capacities
- ▶ Single Stage Ultra Compact Cabinet
- ▶ New and Improved Scroll and Rotary Compressors
- ▶ Brand-New Unit Design
- ▶ Low GWP Ready (R-454B Refrigerant)

Standard Features, Factory Installed Options, and Field Install Accessories

Standard Features

- ▶ Available in Horizontal and Vertical Cabinets
 - Constructed using galvanized steel
 - Standard hanging bracket kits on HZ units for suspending the unit from field supplied hanger rods
- ▶ Single Stage Compact
 - Scroll and Rotary Compressors
 - PSC blower motors for all sizes
- ▶ Unit Configuration
 - Left hand or right hand return air
 - Top or end supply air
 - Copper or Cupro-Nickel Coaxial Coil
- ▶ Standard 1" Throwaway Filter with 2 side Filter Rack
- ▶ 1/2" Dual Density Fiber Insulation
 - 1.5 lb./cu.ft. density micromat fiberglass insulation for both thermal insulation and noise reduction
 - Non-combustible, non-hydroscopic and does not support fungal growth
 - Meets NFPA 90A and 90B for fire protection
 - Meets the GREENGUARD Indoor Air Quality Standard
- ▶ Compressors
 - Floating compressor base pan for quiet operation
 - Rotary type compressors on sizes 007 through 030
 - Scroll type compressors on sizes 036 through 070
- ▶ TXV (Thermal Expansion Valve)
 - Improves refrigerant management and efficiencies
- ▶ Reliability - Durability – Serviceability
 - Slide out blower (VT Units Only)
 - Improved air coil serviceability
 - Completely serviceable from front of unit as well as isolated controls allow the unit to be serviced during operation
- ▶ DuoGuard™ Evaporator Coil
 - Tin Electro-Plated Copper Tubing Hair Pins with high-tech polymer coated Aluminum fins will protect the evaporator coil from most forms of corrosive elements in the airstream
- ▶ Electronic Circuit Board UPM
 - The electronic circuit board provides protection with:
 - Random Start of Unit
 - Anti-Short Cycling (5 minute delay)
 - Alarm communicating output
 - Low pressure switch bypass at cold water start up
 - It also monitors and communicates standard safety features/ alerts/ operation/ protection:
 - Low Pressure Switch
 - High Pressure Switch
 - Evaporator Freeze Protection
 - Water Coil Freeze Switch
 - Condensate Overflow Switch
 - This circuit board can communicate with a Bosch thermostat that alerts the customer of adverse conditions
- ▶ 75 VA Transformer
- ▶ Warranty
 - 1 year all parts limited warranty
 - 5 year compressor limited warranty
 - For full warranty details: <https://www.bosch-homecomfort.com/us/en/residential/service/product-warranty-library/heat-pump-geothermal-warranty-documents/>

Bosch Thermotechnology Corp.
Londonderry, NH • Watertown, MA • Ft. Lauderdale, FL



Standard Features, Factory Installed Options, and Field Install Accessories

Standard Features Continued

- ▶ Field Configurable Horizontal Discharge Air Conversion
 - The horizontal conversion allows end blow to straight through conversion of discharge air, as factory installed straight through configuration for HZ units is not available.
- ▶ Water Connections
 - All water connections are heavy duty bronze FPT fittings securely fastened to the unit corner post

Factory Installed Options

- ▶ Cupro-nickel Coil
 - Recommended in conditions anticipating moderate scale formation or in brackish water

Field Install Accessories

- ▶ Thermostats
 - Bosch thermostats are fully customized to meet your individual needs. Bosch offers communicating thermostats that can display alert messages without having to go to the unit.
- ▶ Externally Mounted Duct Heater Kits
- ▶ Swivel Water Connections
 - 3/4" or 1" FPT Swivel Water Connection
- ▶ Pump/Valve Relay Kit
 - This relay is used to energize a supply pump or solenoid valve when there is a call for compressor operation. This relay can be used to switch either high or low voltage power.
- ▶ SmartStart Assist Kit
 - An option which provides a means of reducing inrush currents at compressor startup. Light flickering is eliminated, and a smooth start is achieved (only available on scroll compressor models).
- ▶ Stainless Steel Hose Kits
 - Available in various lengths and diameters depending on the need for your application.
- ▶ Flow Center Kits

RL Model Series - Residential Water Source Heat Pumps



Field Installed Accessory - Pump/Valve Relay Kit																								
Part Number	007		009		012		015		018		024		030		036		042		048		060		070	
	VT	HZ	VT	HZ	VT	HZ	VT	HZ	VT	HZ	VT	HZ	VT	HZ	VT	HZ	VT	HZ	VT	HZ	VT	HZ	VT	HZ
8733951906	•	•	•	•	•	•	•	•	•	•	•	•	•	•	•	•	•	•	•	•	•	•	•	•

Field Installed Accessory - Flow Proving Switch (Differential Pressure) Kit																								
Part Number	007		009		012		015		018		024		030		036		042		048		060		070	
	VT	HZ	VT	HZ	VT	HZ	VT	HZ	VT	HZ	VT	HZ	VT	HZ	VT	HZ	VT	HZ	VT	HZ	VT	HZ	VT	HZ
8733920264	•	•	•	•	•	•	•	•	•	•	•	•	•	•	•	•	•	•	•	•	•	•	•	•

Field Installed Accessory - Swivel Connector Kit (two connectors per package)																									
Order Number	Type & Size	007		009		012		015		018		024		030		036		042		048		060		070	
		VT	HZ	VT	HZ	VT	HZ	VT	HZ	VT	HZ	VT	HZ	VT	HZ	VT	HZ	VT	HZ	VT	HZ	VT	HZ	VT	HZ
8733927179	Male 3/4" NPT	•	•	•	•	•	•	•	•	•	•	•	•	•	•	•	•	•	•						
8733927180	Male 1" NPT																			•	•	•	•	•	•

Field Installed Accessory - SmartStart Assist Kit																								
Part Number	007		009		012		015		018		024		030		036		042		048		060		070	
	VT	HZ	VT	HZ	VT	HZ	VT	HZ	VT	HZ	VT	HZ	VT	HZ	VT	HZ	VT	HZ	VT	HZ	VT	HZ	VT	HZ
8733957159											•	•	•	•			•	•						
8733957160															•	•			•	•	•	•	•	•

Field Installed Accessory - Duct Mounted Electric Heaters 208/230V							
Nominal BTUH	Order #				Nominal CFM	Duct Flange Connection in Inches	Nominal Dimension in Inches
	5 kW	10 kW	15 kW	20 kW			
18,000	7738002745	N/A	N/A	N/A	600	13.75 x 13.75	14 x 14
24,000	7738002746	7738002747	N/A	N/A	800	13.75 x 13.75	14 x 14
30,000	7738002748	7738002749	N/A	N/A	1000	15.75 x 15.75	16 x 16
36,000	7738002748	7738002749	N/A	N/A	1200	15.75 x 15.75	16 x 16
42,000	7738002747	7738002751	7738002752	N/A	1400	17.75 x 17.75	18 x 18
48,000	7738002747	7738002751	7738002752	N/A	1600	17.75 x 17.75	18 x 18
60,000	7738002747	7738002751	7738002752	7738002753	2000	17.75 x 17.75	18 x 18
70,000	7738002747	7738002751	7738002752	7738002753	2200	17.75 x 17.75	18 x 18



Duct mounted heaters are only available in single phase 208/230 V. Please refer to Manufacturer's Installation and Operation Manual for proper installation and guidelines. It is recommended to use a seven (7) conductor cables for thermostat interface. It is required for the duct mounted heater to have an independent power supply. In fiberglass duct systems, a metal sleeve MUST be used as an insert and support to the heater.

Bosch Thermotechnology Corp.
Londonderry, NH • Watertown, MA • Ft. Lauderdale, FL



Field Installed Accessory - Stainless Steel Hose Kits						
Options	Option 1	Option 2	Option 3**	Option 4**,***	Option 5**, ***	Option 6**, ***
Hose Size (Length, Diameter)	Hoses Only with Swivel	Hose Kit Hoses with Ported Ball Valves, Swivel and One P/T*	Hose Kit with Automatic Flow Valve (AFV)*	Hose kit with AFV, Y-Strainer & Blow Down Valve*	Hose Kit with AFV and Electric Valve*	Hose Kit with AFV, Y-Strainer, BDV and Electric Valve*
	Part #	Part #	Part #	Part #	Part #	Part #
12 Inch						
1/2" L	T111H02121	T111H02122	T111H02123	T111H02124	T111H02125	T111H02126
24 Inch						
3/4" S	T111H03241	T111H03242	T111H03243	T111H03244	T111H03245	T111H03246
1" L	T111H04241	T111H04242	T111H04243	T111H04244	T111H04245	T111H04246
1" S	T111H04241	T111H04242	T111H04247	T111H04248	T111H04249	T111H04240
1 - 1/4" S	T111H05241	T111H05242	T111H05243	T111H05244	T111H05245	T111H05246
1 - 1/2" L	T111H06241	T111H06242	T111H06243	T111H06244	T111H06245	T111H06246
1 - 1/2" S	T111H06241	T111H06242	T111H06247	T111H06248	T111H06249	T111H06240
2" S	T111H08241	T111H08242	T111H08243	T111H08244	T111H08245	T111H08246
36 Inch						
3/4" S	T111H03361	T111H03362	T111H03363	T111H03364	T111H03365	T111H03366
1" L	T111H04361	T111H04362	T111H04363	T111H04364	T111H04365	T111H04366
1" S	T111H04361	T111H04362	T111H04367	T111H04368	T111H04369	T111H04360
1 - 1/4" S	T111H05361	T111H05362	T111H05363	T111H05364	T111H05365	T111H05366
1 - 1/2" L	T111H06361	T111H06362	T111H06363	T111H06364	T111H06365	T111H06366
1 - 1/2" S	T111H06361	T111H06362	T111H06367	T111H06368	T111H06369	T111H06360
2" S	T111H08361	T111H08362	T111H08363	T111H08364	T111H08365	T111H08366

* All Hose Kits include S/R ported ball valves with swivel and P/T port.

** 'L' and 'S' only apply to kit options 3 through 6

*** GMP's are required for hose kits in options 3-6

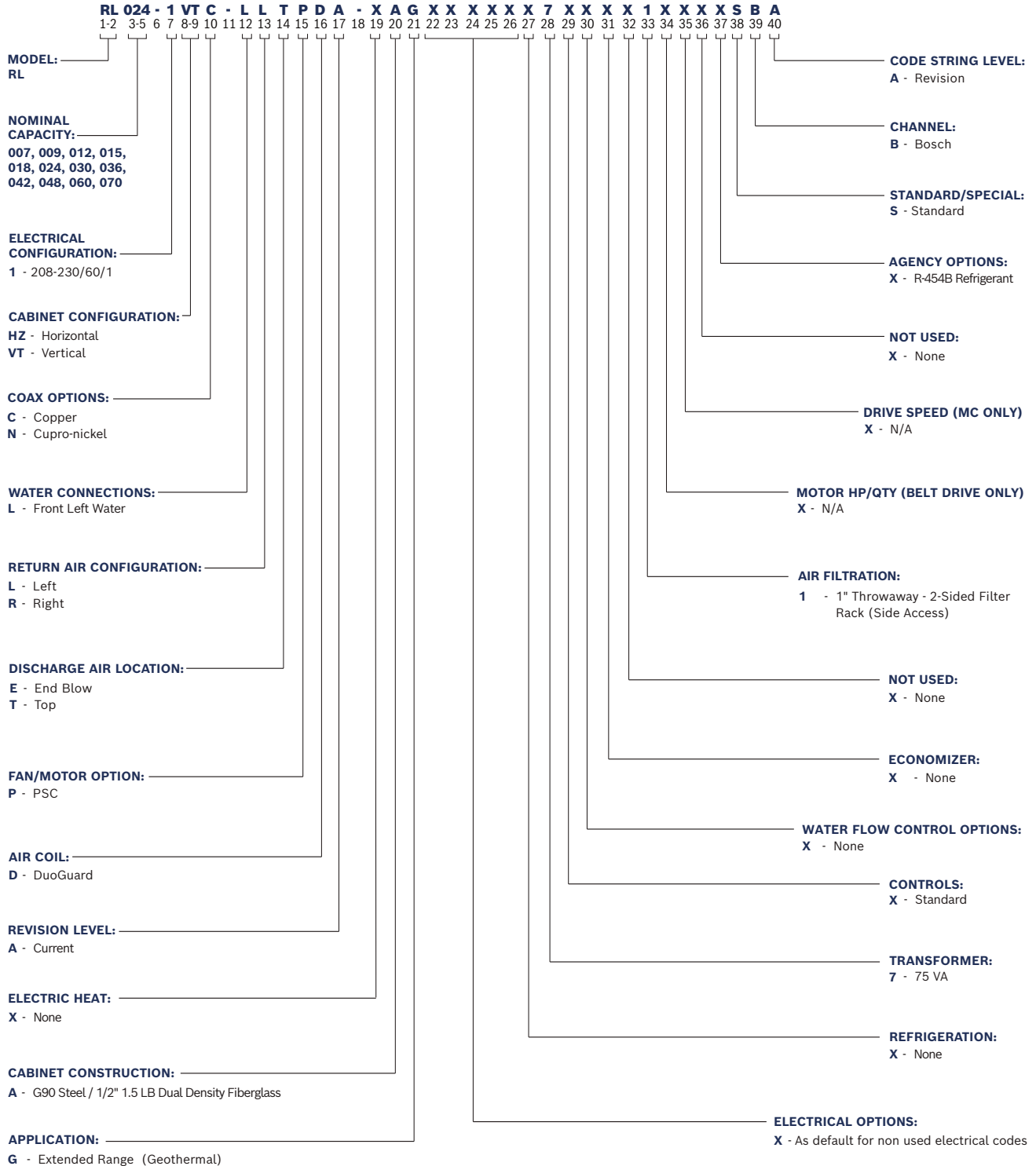
Hose Kit Flow Rates by Size
<p>Please see Technical Service Bulletin: Heat Pump Hose Kits – Water Flow Rates. This document is located at www.bosch-climate.us under Support Center > Downloads > Downloads for Bosch Products > Service Bulletins.</p>

RL Model Series - Residential Water Source Heat Pumps



BOSCH

Model Nomenclature



RL Model Series - Residential Water Source Heat Pumps



BOSCH

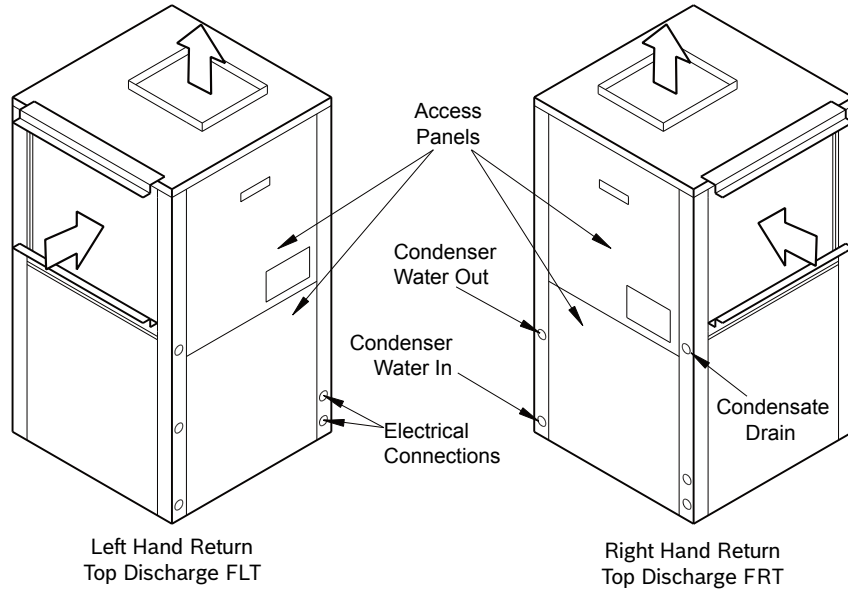
AHRI Ratings (13256-1) - Copper Water Coil & PSC Motor														
Model Number	Water Loop Heat Pump				Ground Water Heat Pump				Ground Loop Heat Pump				CFM	GPM
	Cooling 86 deg.F		Heating 68 deg.F		Cooling 59 deg.F		Heating 50 deg.F		Cooling 77 deg.F		Heating 32 deg.F			
	Capacity Btuh	EER Btuh/W	Capacity Btuh	COP	Capacity Btuh	EER Btuh/W	Capacity Btuh	COP	Capacity Btuh	EER Btuh/W	Capacity Btuh	COP		
007	6,100	13.20	8,900	4.60	6,750	14.80	7,100	4.20	6,350	14.80	5,600	3.30	300	2.00
009	8,200	12.40	10,500	4.60	9,100	15.30	8,400	4.00	8,450	14.50	6,700	3.20	300	2.25
012	10,900	12.20	14,000	4.50	12,100	14.80	11,200	4.00	11,350	14.50	9,000	3.20	400	3.00
015	14,200	12.80	17,000	4.70	15,750	15.30	13,600	4.30	14,800	14.80	11,000	3.50	500	3.50
018	18,000	13.80	22,000	4.60	20,000	16.30	17,600	4.50	18,350	14.60	14,000	3.60	600	4.50
024	24,200	14.00	28,300	4.70	26,850	16.50	22,650	4.40	24,550	14.70	18,500	3.60	800	6.00
030	27,700	13.90	34,600	4.50	30,750	15.70	27,700	4.20	28,000	14.80	23,000	3.50	950	7.50
036	37,700	13.60	40,000	4.60	41,850	16.90	32,000	4.10	37,700	14.80	27,000	3.50	1,200	9.00
042 HZ	39,300	14.10	47,400	4.60	43,600	15.50	37,900	4.30	40,100	14.70	31,000	3.50	1,400	10.50
042 VT	39,300	14.00	47,400	4.60	43,600	16.20	37,900	4.30	40,100	14.70	31,000	3.50	1,400	10.50
048	46,900	14.00	54,000	4.70	52,050	16.40	43,200	4.30	47,400	14.90	36,500	3.60	1,600	12.00
060	59,500	13.60	74,000	4.60	66,050	15.80	59,200	4.30	60,400	14.60	48,500	3.50	1,900	15.00
070	64,000	13.30	73,500	4.50	71,050	15.10	58,800	4.10	65,000	14.50	50,000	3.50	2,030	16.00

AHRI Ratings (13256-1) - Cupro-Nickel Water Coil & PSC Motor														
Model Number	Water Loop Heat Pump				Ground Water Heat Pump				Ground Loop Heat Pump				CFM	GPM
	Cooling 86 deg.F		Heating 68 deg.F		Cooling 59 deg.F		Heating 50 deg.F		Cooling 77 deg.F		Heating 32 deg.F			
	Capacity Btuh	EER Btuh/W	Capacity Btuh	COP	Capacity Btuh	EER Btuh/W	Capacity Btuh	COP	Capacity Btuh	EER Btuh/W	Capacity Btuh	COP		
007	6,100	13.25	8,900	4.49	6,750	14.60	7,100	4.10	6,350	14.55	5,600	3.19	300	2.00
009	8,200	12.40	10,500	4.50	9,100	15.30	8,400	4.00	8,450	14.50	6,700	3.20	300	2.25
012	11,000	12.26	13,950	4.48	12,100	14.90	11,200	4.00	11,350	14.55	9,000	3.19	400	3.00
015	14,200	12.80	17,000	4.50	15,750	15.00	13,600	4.30	14,800	14.50	11,000	3.50	500	3.50
018	18,000	13.84	21,850	4.47	20,050	16.20	17,450	4.40	18,400	14.44	13,900	3.47	600	4.50
024	24,200	14.00	28,050	4.45	26,900	16.20	22,500	4.20	24,600	14.49	18,400	3.47	800	6.00
030	27,350	13.77	34,400	4.48	30,300	15.20	27,500	4.20	27,600	14.36	22,850	3.48	950	7.50
036	37,700	13.60	40,000	4.50	41,850	16.60	32,000	4.10	37,700	14.50	27,000	3.50	1,200	9.00
042HZ	39,150	13.91	47,150	4.49	43,450	15.10	37,700	4.30	39,950	14.32	30,800	3.48	1,400	10.50
042VT	39,150	14.00	47,400	4.50	43,550	15.90	37,900	4.30	40,050	14.50	31,000	3.50	1,400	10.50
048	46,750	13.80	53,650	4.50	51,850	15.80	42,900	4.10	47,200	14.34	36,250	3.49	1,600	12.00
060	59,500	13.60	74,000	4.50	66,050	15.70	59,200	4.30	60,400	14.50	48,500	3.50	1,900	15.00
070	63,850	13.17	72,550	4.48	70,800	15.00	58,450	4.10	64,800	14.36	49,700	3.48	2,030	16.00

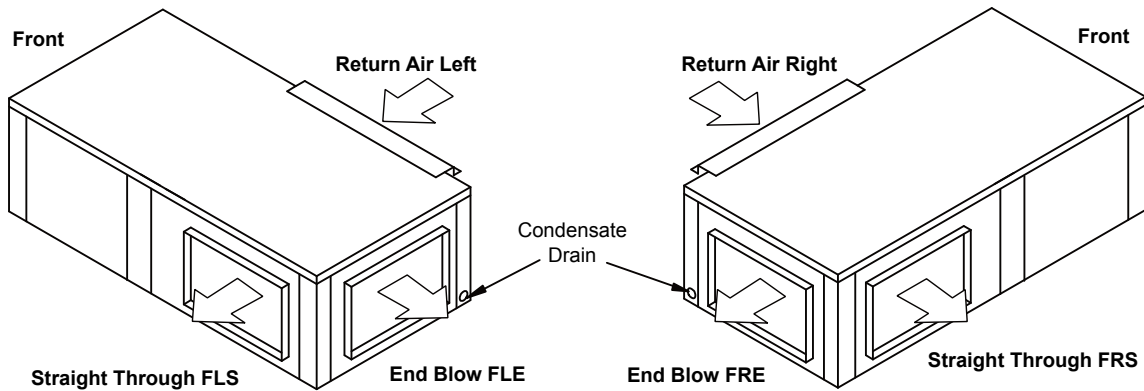
Bosch Thermotechnology Corp.
Londonderry, NH • Watertown, MA • Ft. Lauderdale, FL



Vertical Unit Configurations



Horizontal Unit Configurations

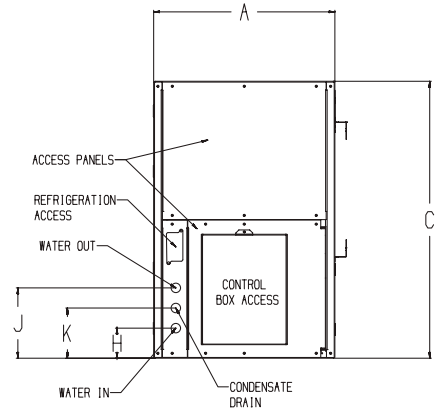
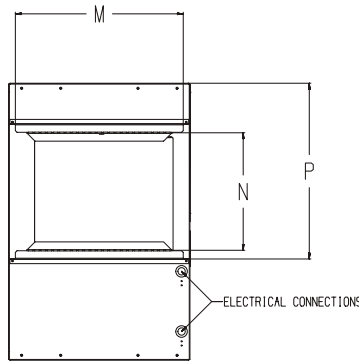
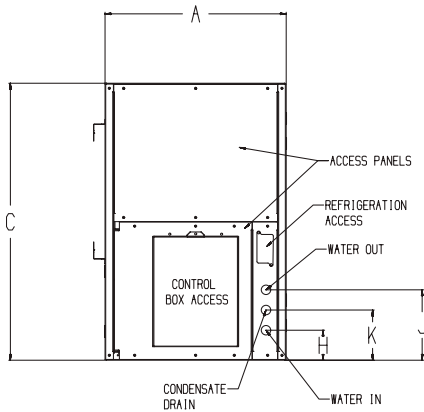
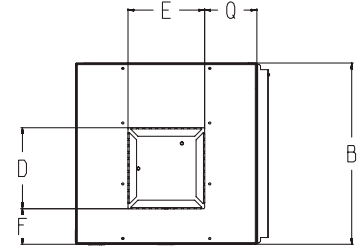
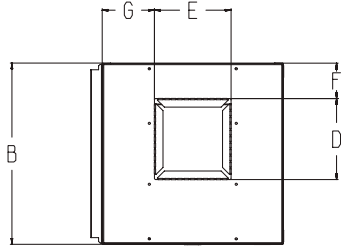


Unit Service clearances:

- ▶ Compressor & electrical box access: Minimum 24", 36" recommended.
- ▶ Blower access: Minimum 18", 24" recommended.

Please consult product IOM for more information.

Vertical Unit Dimensions and Connections



LEFT HAND RETURN RIGHT WATER (FLT)

RETURN AIR (FILTER) VIEW

RIGHT HAND RETURN LEFT WATER (FRT)

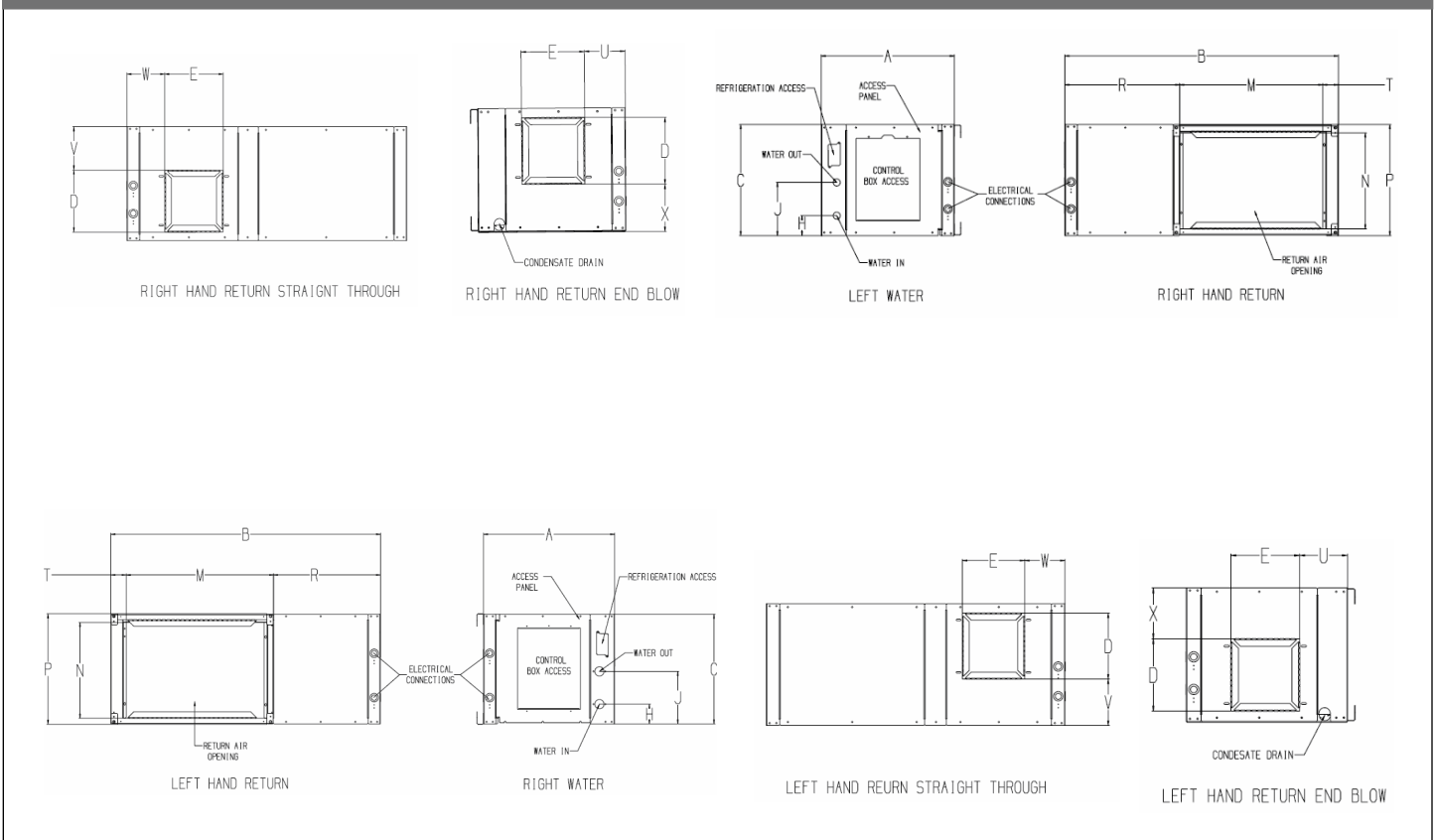
Vertical Unit Dimensions

Model	A	B	C	D	E	F		G	H	J	K	M	N	P	Q	Condenser Water Connections	Recommended Replacement Nominal Filter Size
	Width	Depth	Height	Discharge Depth	Discharge Width	Cabinet Edge to Discharge (Left Hand Return)	Cabinet Edge to Discharge (Right Hand Return)	Left Side to Discharge	Water Inlet	Water Outlet	Condensate Drain	R/A Duct Width	R/A Duct Flange Height	Filter Rack Height	Cabinet Edge to Discharge (Right Hand Return)		
007	19.00	19.00	23.00	4.00	6.50	6.50	2.64	5.50	3.50	8.50	6.00	14.75	10.00	12.00	5.50	3/4" FPT	12x16
009	19.00	19.00	23.00	4.00	6.50	6.50	2.64	5.50	3.50	8.50	6.00	14.75	10.00	12.00	5.50	3/4" FPT	12x16
012	19.00	19.00	23.00	4.00	6.50	6.50	2.64	5.50	3.50	8.50	6.00	14.75	10.00	12.00	5.50	3/4" FPT	12x16
015	21.50	21.50	33.00	9.75	9.00	4.25	4.25	6.25	3.00	8.50	6.00	17.50	15.25	17.25	6.25	3/4" FPT	17x19
018	21.50	21.50	33.00	9.75	9.00	4.25	4.25	6.25	3.00	8.50	6.00	17.50	15.25	17.25	6.25	3/4" FPT	17x19
024	21.50	21.50	39.00	9.75	9.00	4.25	4.25	6.25	3.25	8.50	5.75	18.00	20.00	22.25	6.25	3/4" FPT	28x22
030	21.50	21.50	39.00	9.75	9.00	4.25	4.25	6.25	3.25	8.50	5.75	18.00	20.00	22.25	6.25	3/4" FPT	28x22
036	21.50	21.50	39.00	11.50	10.50	2.25	2.25	6.50	3.25	8.50	5.75	18.25	25.00	27.00	6.50	3/4" FPT	19x27
042	21.50	26.00	44.00	11.25	10.50	5.75	5.75	5.50	3.25	8.50	5.75	24.00	28.25	30.75	5.50	3/4" FPT	24x30
048	24.00	26.00	44.00	11.25	10.50	5.00	5.00	6.75	3.00	8.50	5.75	24.00	28.25	30.00	6.75	1" FPT	24x30
060	24.00	26.00	44.00	12.50	11.75	4.25	4.25	6.25	3.25	8.00	5.75	24.00	28.25	30.00	6.00	1" FPT	24x30
070	24.00	33.00	58.00	12.50	11.75	9.00	9.00	6.25	3.00	8.50	5.75	24.25	38.25	32.00	6.00	1" FPT	20x27 (Qty 2)

NOTES: All dimensions within $\pm 0.125"$. All condensate drain connections are 3/4" FPT. Specifications subject to change without notice. Overall unit dimensions do not include filter rack or duct flanges.

Bosch Thermotechnology Corp.
Londonderry, NH • Watertown, MA • Ft. Lauderdale, FL

Horizontal Unit Dimensions and Connections



Horizontal Unit Dimensions

Model Number	A	B	C	D	E	H	J	M	N	P	R	T	U		V	W	X	Condenser Water Connections	Recommended Replacement Nominal Filter Size
	Width	Depth	Height	Discharge Height	Discharge Width	Water Inlet	Water Outlet	R/A Duct Width	R/A Duct Flange Height	Filter Rack Height	Cabinet Front to Filter Rack	Cabinet End to Filter Rack	Side to Discharge (End) (Left Hand Return)	Side to Discharge (End) (Right Hand Return)	Top to Discharge (FLE & FRS)	End to Discharge (Straight)	Top to Discharge (FRE & FLS)		
007	19.00	33.00	11.50	4.00	6.50	3.75	9.00	16.00	8.50	11.00	16.00	1.00	7.75	4.75	5.87	5.50	1.75	3/4" FPT	10x16
009	19.00	33.00	11.50	4.00	6.50	3.75	9.00	16.00	8.50	11.00	16.00	1.00	7.75	4.75	5.87	5.50	1.75	3/4" FPT	10x16
012	19.00	33.00	11.50	4.00	6.50	3.75	9.00	16.00	8.50	11.00	16.00	1.00	7.75	4.75	5.87	5.50	1.75	3/4" FPT	10x16
015	21.50	44.00	17.00	9.75	9.25	3.25	8.50	23.25	14.00	16.00	18.50	0.10	6.00	6.00	5.75	6.00	1.50	3/4" FPT	16x24
018	21.50	44.00	17.00	9.75	9.25	3.25	8.50	23.25	14.00	16.00	18.50	0.10	6.00	6.00	5.75	6.00	1.50	3/4" FPT	16x24
024	21.50	44.00	18.00	9.75	9.25	3.25	8.50	24.25	15.25	17.00	17.25	0.10	6.00	6.00	6.75	6.50	1.50	3/4" FPT	17x25
030	21.50	44.00	18.00	9.75	9.25	3.25	8.50	24.25	15.25	17.00	17.25	0.10	6.00	6.00	6.75	6.50	1.50	3/4" FPT	17x25
036	21.50	47.00	19.00	11.25	10.50	3.25	8.50	29.25	16.00	18.25	14.50	1.00	5.50	5.50	6.00	5.50	1.75	3/4" FPT	18x30
042	21.50	47.00	19.00	11.25	10.50	3.25	8.50	29.25	16.00	18.25	14.50	1.00	5.50	5.50	6.00	5.50	1.75	3/4" FPT	18x30
048	24.00	54.00	21.00	11.25	10.50	3.25	8.00	33.25	18.00	20.00	18.00	1.00	5.00	5.00	8.00	5.25	1.75	1" FPT	20x34
060	24.00	54.00	21.00	12.50	11.75	3.25	8.00	33.25	18.00	20.00	18.00	1.00	5.00	5.00	6.75	5.00	1.75	1" FPT	20x34
070	24.00	62.00	21.00	12.50	11.75	3.25	8.50	43.50	18.00	20.00	15.00	1.00	5.50	5.50	6.75	5.50	1.75	1" FPT	20x22 (Qty 2)

NOTES: All dimensions within $\pm 0.125"$. All condensate drain connections are 3/4" FPT. Units can be field converted between end blow and straight through supply air configurations. Specifications subject to change without notice. Overall unit dimensions do not include filter rack or duct flanges.

Bosch Thermotechnology Corp.
Londonderry, NH • Watertown, MA • Ft. Lauderdale, FL

RL Model Series -
Residential Water Source Heat Pumps



BOSCH

Operating Limits				
Fluid Type	Limit	Cooling	Heating	
Air	Minimum ambient air	50°F	40°F	
	Maximum ambient air	100°F	85°F	
	Rated ambient air	80°F	68°F	
	Minimum Air coil entering air db/wb	65/57°F	45°F	
	Maximum Air Coil entering air db/wb	95/85°F	80°F	
	Rated Air coil entering air db/wb	80/67°F	68/59°F	
Fluid	Antifreeze Protection Required LWT / EWT	-	< 40/< 50°F	
	Minimum water coil entering fluid	45°F	20°F	
	Maximum water coil entering fluid	110°F	80°F	
	Rated water coil entering fluid	Water Loop application	86°F	68°F
		Ground Loop application	77°F	32°F
		Ground Water application	59°F	50°F
	Maximum operating water pressure	Standard unit	400psi/2,758kPA	
With factory installed water valve option		300psi/2,068kPA		
Minimum operating water flow rate		1.5 GPM per ton		



Antifreeze Correction							
Antifreeze Type	Antifreeze Volume %	Cooling			Heating		WPD Correction Factor EWT 30 °F
		EWT 90 Deg.F			EWT 30 Deg. F		
		Total Cap.	Sens. Cap	Power	Htg. Cap	Power	
Water	0	1.000	1.000	1.000	1.000	1.000	1.000
Propylene Glycol	5	0.998	0.998	1.004	0.995	0.999	1.085
	10	0.996	0.995	1.008	0.989	0.997	1.165
	15	0.994	0.992	1.012	0.980	0.995	1.257
	25	0.989	0.983	1.023	0.962	0.990	1.491
	35	0.981	0.972	1.040	0.938	0.984	1.812
	40	0.976	0.965	1.050	0.923	0.981	2.012
	45	0.970	0.956	1.062	0.907	0.977	2.240
	50	0.964	0.948	1.076	0.890	0.972	2.502
Methanol	5	0.997	0.997	1.003	0.990	0.997	1.060
	10	0.996	0.996	1.005	0.979	0.993	1.100
	15	0.994	0.994	1.008	0.970	0.990	1.140
Ethanol	5	0.998	0.998	1.002	0.981	0.994	1.160
	10	0.996	0.996	1.004	0.960	0.988	1.230
	15	0.992	0.992	1.006	0.944	0.983	1.280
	25	0.986	0.986	1.009	0.917	0.974	1.400
Ethylene Glycol	5	0.999	0.999	1.002	0.997	0.999	1.035
	10	0.998	0.996	1.005	0.993	0.998	1.086
	15	0.996	0.994	1.009	0.986	0.996	1.145
	25	0.992	0.988	1.018	0.974	0.993	1.278
	30	0.989	0.984	1.023	0.967	0.992	1.354
	35	0.986	0.979	1.029	0.960	0.990	1.436
	40	0.983	0.974	1.036	0.953	0.988	1.528
	45	0.979	0.969	1.044	0.944	0.986	1.629
50	0.975	0.962	1.053	0.934	0.983	1.743	

RL Model Series -
Residential Water Source Heat Pumps



BOSCH

Waterside Pressure Drop			
Model	Water Flow Rate (GPM)	Water Side Pressure Drop without Internal Valve (PSI)	Water Side Pressure Drop with Internal Valve (PSI)
007	1.0	0.6	0.9
	2.0	2.0	3.2
	3.0	4.1	6.6
009	1.0	0.6	0.8
	2.0	2.0	2.8
	3.0	4.1	5.8
012	1.5	1.2	1.7
	2.5	3.0	4.1
	3.5	5.4	7.6
015	2.0	2.0	2.7
	3.0	4.1	5.6
	4.0	6.8	9.4
018	2.5	1.6	3.0
	4.0	3.7	7.2
	5.0	5.4	10.9
024	3.0	1.4	1.7
	4.0	2.3	2.8
	6.0	4.7	5.8
030	4.0	1.2	1.6
	6.0	2.5	3.4
	8.0	4.2	5.7
036	4.5	1.5	2.3
	6.0	2.5	3.9
	9.0	5.2	8.2
042	5.0	1.8	2.8
	8.0	4.2	6.5
	11.0	7.3	11.7
048	6.0	1.5	2.7
	8.0	2.5	4.7
	12.0	5.2	9.9
060	7.5	1.4	2.4
	10.0	2.3	4.1
	15.0	4.7	8.7
070	9.0	1.9	3.3
	12.0	3.2	5.6
	18.0	6.6	12.0

- All values based on pure water at 70° F.

Bosch Thermotechnology Corp.
Londonderry, NH • Watertown, MA • Ft. Lauderdale, FL

RL Model Series -
Residential Water Source Heat Pumps



BOSCH

Electrical Data - PSC Blower Motor																			
Model Number	Voltage Code	Voltage/ Hz/ Phase	Voltage Min/Max	Compressor			Blower Motor		Total Unit FLA	Single Point Power			Dual Point Power						
				Qty	RLA	LRA	FLA	HP		Min. Circuit Amps	MOP CALC	MOP	Compressor Circuit			Blower Motor Circuit			
													Min. Circuit Amps	MOP CALC	MOP	Min. Circuit Amps	MOP CALC	MOP	
007	1	208-230/1/60	197/253	1	3.2	15.0	1.1	0.1	4.3	5.1	8.3	15.0	4.0	7.2	15.0	1.4	2.5	15.0	
009	1	208-230/1/60	197/253	1	3.1	20.0	1.1	0.1	4.3	5.0	8.2	15.0	3.9	7.1	15.0	1.4	2.5	15.0	
012	1	208-230/1/60	197/253	1	4.6	27.0	1.1	0.1	5.7	6.9	11.5	15.0	5.8	10.4	15.0	1.4	2.5	15.0	
015	1	208-230/1/60	197/253	1	5.7	34.5	1.1	0.2	6.8	8.2	13.9	15.0	7.1	12.8	15.0	1.4	2.5	15.0	
018	1	208-230/1/60	197/253	1	5.3	39.0	1.1	0.2	6.4	7.8	13.1	15.0	6.7	12.0	15.0	1.4	2.5	15.0	
024	1	208-230/1/60	197/253	1	7.2	58.0	1.8	0.3	9.0	10.8	18.0	15.0	9.0	16.2	15.0	2.3	4.1	15.0	
030	1 (VT)	208-230/1/60	197/253	1	11.9	58.0	1.8	0.3	13.7	16.7	28.6	25.0	14.9	26.8	25.0	2.3	4.1	15.0	
	1 (HZ)	208-230/1/60	197/253	1	11.9	58.0	4.4	0.5	16.3	19.3	31.2	30.0	14.9	26.8	25.0	5.5	9.9	15.0	
036	1 (VT)	208-230/1/60	197/253	1	16.7	93.5	4.4	0.8	21.1	25.2	41.9	40.0	20.8	37.5	35.0	5.5	9.9	15.0	
	1 (HZ)	208-230/1/60	197/253	1	16.7	93.5	4.4	0.5	21.1	25.2	41.9	40.0	20.8	37.5	35.0	5.5	9.9	15.0	
042	1	208-230/1/60	197/253	1	14.7	109.0	4.4	0.8	19.1	22.8	37.6	35.0	18.4	33.2	30.0	5.5	9.9	15.0	
048	1	208-230/1/60	197/253	1	17.3	126.0	4.4	0.8	21.7	26.0	43.3	40.0	21.6	38.9	35.0	5.5	9.9	15.0	
060	1	208-230/1/60	197/253	1	25.6	155.0	5.5	0.8	31.1	37.6	63.2	60.0	32.1	57.7	50.0	6.9	12.4	15.0	
070	1	208-230/1/60	197/253	1	27.6	170.0	5.5	0.8	33.1	40.0	67.5	60.0	34.5	62.0	60.0	6.9	12.4	15.0	

RL Model Series - Residential Water Source Heat Pumps



Blower Performance CFM - Vertical Unit w/ PSC Motor														
Model Number	Fan Speed	Default Factory Motor Setting	External Static Pressure (in. of Water)											
			0.10	0.20	0.30	0.40	0.50	0.60	0.70	0.80	0.90	1.00	1.10	1.20
007	Low		289	267	244	213	-	-	-	-	-	-	-	-
	Med	X	335	309	283	251	215	-	-	-	-	-	-	-
	Hi		347	320	294	262	225	185	-	-	-	-	-	-
009	Low		294	281	267	248	-	-	-	-	-	-	-	-
	Med	X	379	360	340	316	289	-	-	-	-	-	-	-
	Hi		414	391	369	343	314	284	-	-	-	-	-	-
012	Low		294	281	267	248	-	-	-	-	-	-	-	-
	Med		379	360	340	316	289	-	-	-	-	-	-	-
	Hi	X	414	391	369	343	314	284	-	-	-	-	-	-
015	Low		542	519	469	437	415	375	-	-	-	-	-	-
	Med		621	598	546	497	452	424	360	-	-	-	-	-
	Hi	X	814	774	733	602	545	500	449	366	-	-	-	-
018	Low		542	519	469	437	415	375	-	-	-	-	-	-
	Med		621	598	546	497	452	424	360	-	-	-	-	-
	Hi	X	814	774	733	602	545	500	449	366	-	-	-	-
024	Low		730	723	703	679	637	544	493	-	-	-	-	-
	Med		821	808	787	757	720	667	535	479	-	-	-	-
	Hi	X	1019	972	943	890	840	779	696	535	473	-	-	-
030	Low		730	723	703	679	637	544	493	412	-	-	-	-
	Med		821	808	787	757	720	667	535	479	-	-	-	-
	Hi	X	1019	972	943	890	840	779	696	535	473	-	-	-
036	Low		1178	1139	1097	1052	998	935	863	-	-	-	-	-
	Med		1250	1204	1158	1108	1052	987	912	826	-	-	-	-
	Hi	X	1289	1240	1194	1142	1082	1017	945	857	-	-	-	-
042	Low		963	999	1016	1013	996	995	860	-	-	-	-	-
	Med		1237	1243	1263	1260	1243	1215	1103	-	-	-	-	-
	Hi	X	1561	1559	1547	1520	1480	1426	1357	1165	-	-	-	-
048	Low		1424	1422	1410	1393	1364	1327	1273	1210	1124	-	-	-
	Med		1677	1662	1633	1590	1538	1481	1407	1324	1229	-	-	-
	Hi	X	1953	1896	1847	1778	1704	1609	1515	1422	1319	1167	-	-
060	Low		1646	1636	1627	1592	1573	1540	1505	1462	1415	1397	-	-
	Med		1832	1819	1806	1793	1746	1711	1659	1619	1553	1501	1417	-
	Hi	X	2081	2076	2029	2008	1976	1934	1876	1812	1740	1659	1575	-
070	Low		1593	1586	1587	1576	1572	1561	1563	1550	1534	1504	1456	1411
	Med		1776	1777	1774	1778	1776	1756	1749	1733	1728	1684	1659	1606
	Hi	X	2028	2033	2029	2029	2030	2029	2024	1991	1969	1943	1906	1852

*Applicable for 265/1/60 voltage units only
 Note: 575V models employ 1 speed motors (high only)

Bosch Thermotechnology Corp.
 Londonderry, NH • Watertown, MA • Ft. Lauderdale, FL

RL Model Series - Residential Water Source Heat Pumps



BOSCH

Blower Performance CFM - Horizontal Unit w/ PSC Motor														
Model Number	Fan Speed	Default Factory Motor Setting	External Static Pressure (in. of Water)											
			0.10	0.20	0.30	0.40	0.50	0.60	0.70	0.80	0.90	1.00	1.10	1.20
007	Low		296	285	271	254	235	-	-	-	-	-	-	-
	Med	X	410	391	373	349	321	-	-	-	-	-	-	-
	Hi		465	442	420	393	360	-	-	-	-	-	-	-
009	Low		296	281	266	244	-	-	-	-	-	-	-	-
	Med	X	393	373	347	323	293	255	223	-	-	-	-	-
	Hi		424	401	373	345	314	279	238	196	-	-	-	-
012	Low		296	281	266	244	-	-	-	-	-	-	-	-
	Med		393	373	347	323	293	255	223	-	-	-	-	-
	Hi	X	424	401	373	345	314	279	238	196	-	-	-	-
015	Low		542	519	469	437	415	375	-	-	-	-	-	-
	Med		621	598	546	497	452	424	360	-	-	-	-	-
	Hi	x	814	774	733	602	545	500	449	366	-	-	-	-
018	Low		542	519	469	437	415	375	-	-	-	-	-	-
	Med		621	598	546	497	452	424	360	-	-	-	-	-
	Hi	x	814	774	733	602	545	500	449	366	-	-	-	-
024	Low		1010	965	923	878	811	625	-	-	-	-	-	-
	Med		1079	1016	967	912	851	721	568	-	-	-	-	-
	Hi	X	1118	1060	1000	949	888	795	586	561	-	-	-	-
030	Low		1010	965	923	878	811	625	-	-	-	-	-	-
	Med	X	1079	1016	967	912	851	721	568	-	-	-	-	-
	Hi		1118	1060	1000	949	888	795	586	561	-	-	-	-
036	Low		1027	1029	1024	1010	930	922	912	857	786	689	-	-
	Med		1282	1272	1245	1217	1168	1026	1001	971	904	796	-	-
	Hi	X	1535	1497	1444	1384	1315	1250	1034	1026	979	887	-	-
042	Low		1279	1248	1212	1161	1087	992	853	801	744	675	-	-
	Med		1465	1414	1365	1301	1240	1097	917	846	774	702	-	-
	Hi	X	1569	1509	1418	1358	1298	1189	995	869	816	741	-	-
048	Low		1399	1388	1377	1359	1327	1284	1245	1173	1106	883	-	-
	Med		1651	1605	1562	1525	1481	1420	1362	1293	1209	1101	-	-
	Hi	X	1816	1764	1712	1660	1590	1519	1446	1367	1284	1198	-	-
060	Low		1639	1620	1597	1565	1529	1482	1424	1358	1276	1194	1100	994
	Med		1812	1789	1737	1698	1653	1600	1539	1472	1388	1287	1187	1076
	Hi	X	2022	1976	1937	1887	1833	1771	1704	1628	1543	1443	1309	1193
070	Low		1636	1626	1611	1607	1591	1571	1540	1506	-	-	-	-
	Med		1822	1822	1814	1793	1777	1756	1724	1675	1626	1562	-	-
	Hi	X	2092	2082	2068	2045	2020	1968	1932	1878	1815	1730	1640	1525

Note: 575V models employ 1 speed motors (high only)

Bosch Thermotechnology Corp.
Londonderry, NH • Watertown, MA • Ft. Lauderdale, FL

RL Model Series - Residential Water Source Heat Pumps



BOSCH

Physical Data							
Description	Unit	Value					
		007	009	012	015	018	024
Compressor Type	Qty 1	Rotary	Rotary	Rotary	Rotary	Rotary	Rotary
Max Water Working Pressure	PSIG	400	400	400	400	400	400
Fan Motor & Blower							
PSC Fan Motor (HP)	HP	0.1	0.1	0.1	1/6	1/6	0.25
Blower Wheel Size (Dia. x W)	Inch	5.5x4.5	5.5x4.5	5.5x4.5	9x7	9x7	9x7
Water Connection Size							
FPT	Inch	0.75	0.75	0.75	0.75	1	0.75
Coaxial Coil Volume	Gal	0.07	0.07	0.07	0.07	0.1	0.18
Vertical Cabinet							
Refrigeration Charge	Oz	17	20	19	19	23	29
Air Coil Dimensions (H x W)	Inch	10 x 14	10 x 14	10 x 14	15 x 16.5	15 x 16.5	20 x 16.5
Standard Filter - 1" Throwaway (L x H)	Inch	12 x 16	12 x 16	12 x 16	17 x 19	17 x 19	18 x 22
Weight - Operating	lbs	106	112	117	146	170	191
Weight - Shipping	lbs	134	139	144	174	195	218
Horizontal Cabinet							
Refrigeration Charge	Oz	18	20	17	21	24	30
Air Coil Dimensions (H x W)	Inch	10 x 14	10 x 14	10 x 14	14 x 20	14 x 20	15 x 22
Standard Filter - 1" Throwaway (L x H)	Inch	10 x 16	10 x 16	10 x 16	16 x 24	16 x 24	17 x 25
Weight - Operating	lbs	98	106	114	146.8	154.8	183.2
Weight - Shipping	lbs	130	135	143	169	189	214

RL Model Series - Residential Water Source Heat Pumps



BOSCH

Physical Data							
Description	Unit	Value					
		030	036	042	048	060	070
Compressor Type	Qty 1	Rotary	Scroll	Scroll	Scroll	Scroll	Scroll
Max Water Working Pressure	PSIG	400	400	400	400	400	400
Fan Motor & Blower							
PSC Fan Motor (HP)	HP	0.25 (Vertical) 0.5 (Horizontal)	0.75 (Vertical) 0.5 (Horizontal)	0.75	0.75	1	0.75
Blower Wheel Size (Dia. x W)	Inch	9x7	10x8	10x8	10x8	11x9	11x9
Water Connection Size							
FPT	Inch	0.75	0.75	0.75	1.00	1	1
Coaxial Coil Volume	Gal	0.32	0.32	0.32	0.37	0.49	0.49
Vertical Cabinet							
Refrigeration Charge	Oz	35	34	38	44	48	57
Air Coil Dimensions (H x W)	Inch	20 x 16.5	24 x 16.5	28 x 21	28 x 21	28 x 21	40 x 27
Standard Filter - 1" Throwaway (L x H)	Inch	18 x 22	19 x 27	24 x 30	24 x 30	24 x 30	20 x 27 (Qty 2)
Weight - Operating	lbs	191	215	228	228	275	338
Weight - Shipping	lbs	218	241	254	253	299	362
Horizontal Cabinet							
Refrigeration Charge	Oz	37	32	37	51	50	55
Air Coil Dimensions (H x W)	Inch	15 x 22	16 x 27.5	16 x 27.5	18 x 31	18 x 31	18 x 42
Standard Filter - 1" Throwaway (L x H)	Inch	17 x 25	18 x 30	18 x 30	20 x 34	20 x 34	20 x 22 (Qty 2)
Weight - Operating	lbs	187.4	205.2	213.2	266.6	285.2	296.2
Weight - Shipping	lbs	221	250	247	292	315	345

Bosch Thermotechnology Corp.
Londonderry, NH • Watertown, MA • Ft. Lauderdale, FL

RL Model Series - Residential Water Source Heat Pumps



BOSCH

Horizontal Cabinet Corner Weights										
Configuration			Left Hand Evaporator				Right Hand Evaporator			
Model	Unit	Total	Left Front*	Right Front*	Left Back	Right Back	Left Front*	Right Front*	Left Back	Right Back
007	Lbs	98.0	30.8	21.0	20.0	26.2	21.0	30.8	26.2	20.0
	kg	44.5	14.0	9.5	9.1	11.9	9.5	14.0	11.9	9.1
009	Lbs	106.0	32.8	23.0	22.0	28.2	23.0	32.8	28.2	22.0
	kg	48.1	14.9	10.4	10.0	12.8	10.4	14.9	12.8	10.0
012	Lbs	114.0	34.8	25.0	24.0	30.2	25.0	34.8	30.2	24.0
	kg	51.7	15.8	11.3	10.9	13.7	11.3	15.8	13.7	10.9
015	Lbs	146.8	40.2	38.6	31.4	36.6	38.6	40.2	36.6	31.4
	kg	66.6	18.2	17.5	14.2	16.6	17.5	18.2	16.6	14.2
018	Lbs	154.8	42.2	40.6	33.4	38.6	40.6	42.2	38.6	33.4
	kg	70.2	19.1	18.4	15.1	17.5	18.4	19.1	17.5	15.1
024	Lbs	183.2	45.8	58.2	42.2	37.0	58.2	45.8	37.0	42.2
	kg	83.1	20.8	26.4	19.1	16.8	26.4	20.8	16.8	19.1
030	Lbs	187.4	58.2	50.2	36.8	42.2	50.2	58.2	42.2	36.8
	kg	85.0	26.4	22.8	16.7	19.1	22.8	26.4	19.1	16.7
036	Lbs	205.2	61.6	46.6	40.6	56.4	46.6	61.6	56.4	40.6
	kg	93.1	27.9	21.1	18.4	25.6	21.1	27.9	25.6	18.4
042	Lbs	213.2	63.6	48.6	42.6	58.4	48.6	63.6	58.4	42.6
	kg	96.7	28.8	22.0	19.3	26.5	22.0	28.8	26.5	19.3
048	Lbs	266.6	77.0	74.4	52.6	62.6	74.4	77.0	62.6	52.6
	kg	120.9	34.9	33.7	23.9	28.4	33.7	34.9	28.4	23.9
060	Lbs	285.2	77.2	82.2	73.4	52.4	82.2	77.2	52.4	73.4
	kg	129.4	35.0	37.3	33.3	23.8	37.3	35.0	23.8	33.3
070	Lbs	296.2	85.0	90.6	60.2	60.4	90.6	85.0	60.4	60.2
	kg	134.4	38.6	41.1	27.3	27.4	41.1	38.6	27.4	27.3

*Front is control box end

RL Model Series - Residential Water Source Heat Pumps



Capacity Data 007 (200 CFM)																	
Cooling									Heating								
Entering Fluid Temp (°F)	Water flow (GPM)	Pressure Drop (FOH)	Entering Air Temp DB/WB (°F)	Total Capacity (MBTUH)	Sensible Capacity (MBTUH)	Heat of Rejection (MBTUH)	Power Input (kW)	EER	Entering Fluid Temp (°F)	Water flow (GPM)	Pressure Drop (FOH)	Entering Air Temp (°F)	Total Capacity (MBTUH)	Heat of Absorption (MBTUH)	Power Input (kW)	COP	
50	1.5	1.3	75/63	8.0	5.6	8.9	0.3	23.1	30	1.5	1.4	60	5.4	4.2	0.4	3.8	
			80/67	8.6	5.8	9.5	0.3	25.3				70	5.1	3.9	0.4	3.4	
			85/71	9.1	5.9	10.0	0.3	27.7				80	4.9	3.6	0.5	3.1	
	2.0	2.1	75/63	8.1	5.7	9.0	0.3	24.9		2.0	2.1	60	5.5	4.4	0.4	3.9	
			80/67	8.7	5.8	9.6	0.3	27.4				70	5.3	4.1	0.4	3.5	
			85/71	9.3	6.0	10.1	0.3	30.4				80	5.1	3.8	0.5	3.2	
	2.5	3.2	75/63	8.2	5.7	9.0	0.3	26.1		2.5	3.2	60	5.6	4.5	0.4	3.9	
			80/67	8.8	5.9	9.6	0.3	28.9				70	5.4	4.2	0.4	3.5	
			85/71	9.4	6.0	10.2	0.3	32.3				80	5.2	3.8	0.5	3.2	
60	1.5	1.3	75/63	7.7	5.5	8.7	0.4	19.3	40	1.5	1.4	60	6.2	5.0	0.4	4.2	
			80/67	8.2	5.6	9.2	0.4	20.9				70	6.0	4.7	0.5	3.8	
			85/71	8.7	5.7	9.8	0.4	22.7				80	5.8	4.4	0.5	3.5	
	2.0	2.1	75/63	7.8	5.5	8.8	0.4	20.5		2.0	2.1	60	6.4	5.2	0.4	4.3	
			80/67	8.3	5.7	9.3	0.4	22.4				70	6.2	4.9	0.5	3.9	
			85/71	8.9	5.8	9.9	0.4	24.5				80	6.0	4.6	0.5	3.5	
	2.5	3.1	75/63	7.9	5.5	8.8	0.4	21.3		2.5	3.2	60	6.6	5.3	0.4	4.4	
			80/67	8.4	5.7	9.4	0.4	23.4				70	6.3	5.0	0.5	4.0	
			85/71	9.0	5.8	10.0	0.3	25.8				80	6.1	4.7	0.5	3.6	
70	1.5	1.3	75/63	7.3	5.3	8.4	0.4	16.4	50	1.5	1.3	60	7.1	5.9	0.4	4.7	
			80/67	7.8	5.5	9.0	0.4	17.7				70	6.9	5.6	0.5	4.2	
			85/71	8.4	5.6	9.5	0.4	19.0				80	6.7	5.3	0.5	3.8	
	2.0	2.0	75/63	7.4	5.4	8.5	0.4	17.3		2.0	2.1	60	7.4	6.1	0.4	4.8	
			80/67	8.0	5.5	9.1	0.4	18.8				70	7.2	5.8	0.5	4.3	
			85/71	8.5	5.7	9.6	0.4	20.4				80	6.9	5.5	0.5	3.9	
	2.5	3.1	75/63	7.5	5.4	8.6	0.4	17.9		2.5	3.1	60	7.6	6.3	0.5	4.9	
			80/67	8.0	5.5	9.1	0.4	19.5				70	7.3	5.9	0.5	4.4	
			85/71	8.6	5.7	9.7	0.4	21.2				80	7.1	5.6	0.5	4.0	
80	1.5	1.2	75/63	7.0	5.2	8.2	0.5	14.1	60	1.5	1.3	60	8.1	6.8	0.5	5.2	
			80/67	7.4	5.3	8.7	0.5	15.1				70	7.9	6.5	0.5	4.6	
			85/71	8.0	5.4	9.2	0.5	16.2				80	7.7	6.1	0.5	4.2	
	2.0	2.0	75/63	7.1	5.2	8.3	0.5	14.8		2.0	2.0	60	8.4	7.1	0.5	5.3	
			80/67	7.6	5.4	8.8	0.5	15.9				70	8.2	6.7	0.5	4.8	
			85/71	8.1	5.5	9.3	0.5	17.2				80	7.9	6.4	0.5	4.3	
	2.5	3.0	75/63	7.1	5.2	8.3	0.5	15.2		2.5	3.1	60	8.6	7.3	0.5	5.4	
			80/67	7.6	5.4	8.8	0.5	16.4				70	8.4	6.9	0.5	4.9	
			85/71	8.2	5.5	9.4	0.5	17.8				80	8.1	6.6	0.5	4.4	
90	1.5	1.2	75/63	6.6	5.0	7.9	0.5	12.2	70	1.5	1.3	60	9.1	7.8	0.5	5.6	
			80/67	7.1	5.1	8.4	0.5	13.0				70	8.9	7.4	0.5	5.1	
			85/71	7.5	5.3	8.9	0.5	13.9				80	8.6	7.1	0.6	4.6	
	2.0	1.9	75/63	6.7	5.0	8.0	0.5	12.7		2.0	2.0	60	9.5	8.1	0.5	5.8	
			80/67	7.2	5.2	8.5	0.5	13.7				70	9.2	7.7	0.5	5.2	
			85/71	7.7	5.3	9.1	0.5	14.6				80	9.0	7.4	0.6	4.7	
	2.5	2.9	75/63	6.8	5.1	8.1	0.5	13.1		2.5	3.1	60	9.7	8.4	0.5	5.9	
			80/67	7.3	5.2	8.6	0.5	14.1				70	9.4	8.0	0.5	5.3	
			85/71	7.8	5.4	9.1	0.5	15.1				80	9.2	7.6	0.6	4.8	
100	1.5	1.2	75/63	6.2	4.8	7.7	0.6	10.5	80	1.5	1.3	60	10.1	8.8	0.5	6.1	
			80/67	6.7	5.0	8.2	0.6	11.2				70	9.9	8.4	0.5	5.5	
			85/71	7.1	5.1	8.7	0.6	11.9				80	9.6	8.0	0.6	4.9	
	2.0	1.9	75/63	6.3	4.9	7.8	0.6	11.0		2.0	1.9	60	10.5	9.2	0.5	6.3	
			80/67	6.8	5.0	8.2	0.6	11.7				70	10.3	8.8	0.5	5.6	
			85/71	7.3	5.2	8.8	0.6	12.5				80	10.0	8.4	0.6	5.1	
	2.5	2.9	75/63	6.4	4.9	7.8	0.6	11.2		2.5	3.0	60	10.8	9.4	0.5	6.5	
			80/67	6.9	5.1	8.3	0.6	12.0				70	10.5	9.0	0.5	5.7	
			85/71	7.4	5.2	8.8	0.6	12.9				80	10.2	8.6	0.6	5.1	
110	1.5	1.2	75/63	5.9	4.7	7.4	0.6	9.1	Extended Range - Anti-freeze required	1.5	1.3	60	10.1	8.8	0.5	6.1	
			80/67	6.3	4.8	7.9	0.7	9.6				70	9.9	8.4	0.5	5.5	
			85/71	6.7	5.0	8.4	0.7	10.2				80	9.6	8.0	0.6	4.9	
	2.0	1.9	75/63	6.0	4.7	7.5	0.6	9.4		2.0	1.9	60	10.5	9.2	0.5	6.3	
			80/67	6.4	4.9	8.0	0.6	10.1				70	10.3	8.8	0.5	5.6	
			85/71	6.8	5.0	8.5	0.6	10.7				80	10.0	8.4	0.6	5.1	
	2.5	2.9	75/63	6.0	4.7	7.5	0.6	9.6		2.5	3.0	60	10.8	9.4	0.5	6.5	
			80/67	6.5	4.9	8.0	0.6	10.3				70	10.5	9.0	0.5	5.7	
			85/71	6.9	5.1	8.5	0.6	11.0				80	10.2	8.6	0.6	5.1	

Extended Range - Anti-freeze required

AHRI/ISO13256-1 certified performance is rated at entering air conditions of 80.6°F DB and 66.2°F WB in cooling and 68°F DB in heating.

Tabulated unit performance does not include fan or pump power corrections required for AHRI/ISO standard performance ratings.

Unit performance may be interpolated. Extrapolation is not allowed.

For conditions other than rating conditions provided, consult the BST selection software.

Ratings below 40°F are with a methanol solution.

DISCLAIMER: The performance reported herein is based on testing by FHP. Variations in the installation and operational environment may alter performance. Bosch disclaims all warranties, express and implied, that the performance will be as reported, including the warranty of merchantability and fitness for purpose. In addition, continuous research and development may result in a change to an appliances design and specifications at the time of order, which Bosch may change without notice. Before purchase, confirm the design specifications of the appliance.

Bosch Thermotechnology Corp.
Londonderry, NH • Watertown, MA • Ft. Lauderdale, FL

RL Model Series - Residential Water Source Heat Pumps



BOSCH

Capacity Data 009 (300 CFM)																	
Cooling									Heating								
Entering Fluid Temp (°F)	Water flow (GPM)	Pressure Drop (FOH)	Entering Air Temp DB/WB (°F)	Total Capacity (MBTUH)	Sensible Capacity (MBTUH)	Heat of Rejection (MBTUH)	Power Input (kW)	EER	Entering Fluid Temp (°F)	Water flow (GPM)	Pressure Drop (FOH)	Entering Air Temp (°F)	Total Capacity (MBTUH)	Heat of Absorption (MBTUH)	Power Input (kW)	COP	
50	2.0	2.0	75/63	9.8	7.4	11.1	0.5	21.6	30	2.0	2.1	60	6.3	4.7	0.6	3.3	
			80/67	10.5	7.6	11.8	0.4	23.6				70	6.1	4.4	0.6	3.0	
			85/71	11.2	7.8	12.4	0.4	25.8				80	5.8	4.0	0.6	2.7	
	2.5	2.8	75/63	9.9	7.4	11.2	0.4	22.7		60	6.4	4.8	0.6	3.4			
			80/67	10.6	7.7	11.8	0.4	24.9		70	6.2	4.5	0.6	3.0			
			85/71	11.3	7.9	12.5	0.4	27.5		80	5.9	4.1	0.6	2.8			
	3.0	3.2	75/63	10.0	7.5	11.2	0.4	23.5		60	6.5	4.9	0.6	3.4			
			80/67	10.7	7.7	11.9	0.4	25.9		70	6.3	4.5	0.6	3.1			
			85/71	11.4	7.9	12.6	0.4	28.7		80	6.0	4.2	0.6	2.8			
60	2.0	2.0	75/63	9.4	7.2	10.8	0.5	18.2	40	2.0	2.1	60	7.3	5.6	0.6	3.7	
			80/67	10.0	7.4	11.5	0.5	19.7				70	7.0	5.2	0.6	3.4	
			85/71	10.7	7.6	12.1	0.5	21.4				80	6.8	4.9	0.7	3.1	
	2.5	2.8	75/63	9.5	7.2	10.9	0.5	19.0		60	7.4	5.8	0.6	3.8			
			80/67	10.2	7.5	11.5	0.5	20.7		70	7.2	5.4	0.6	3.4			
			85/71	10.8	7.7	12.2	0.5	22.6		80	6.9	5.0	0.7	3.1			
	3.0	3.1	75/63	9.5	7.3	10.9	0.5	19.5		60	7.5	5.9	0.6	3.8			
			80/67	10.2	7.5	11.6	0.5	21.3		70	7.3	5.5	0.6	3.5			
			85/71	10.9	7.7	12.3	0.5	23.4		80	7.0	5.1	0.7	3.1			
70	2.0	2.0	75/63	8.9	7.0	10.5	0.6	15.5	50	2.0	2.0	60	8.3	6.6	0.6	4.2	
			80/67	9.5	7.3	11.1	0.6	16.7				70	8.1	6.2	0.6	3.8	
			85/71	10.2	7.5	11.8	0.6	18.0				80	7.8	5.8	0.7	3.4	
	2.5	2.7	75/63	9.0	7.1	10.6	0.6	16.1		60	8.5	6.8	0.6	4.2			
			80/67	9.7	7.3	11.2	0.6	17.4		70	8.3	6.4	0.6	3.8			
			85/71	10.3	7.5	11.9	0.5	18.9		80	8.0	6.0	0.7	3.5			
	3.0	3.1	75/63	9.1	7.1	10.6	0.6	16.5		60	8.6	6.9	0.6	4.3			
			80/67	9.7	7.4	11.3	0.5	17.9		70	8.4	6.5	0.6	3.9			
			85/71	10.4	7.6	11.9	0.5	19.5		80	8.2	6.1	0.7	3.5			
80	2.0	1.9	75/63	8.5	6.8	10.2	0.6	13.4	60	2.0	2.0	60	9.4	7.7	0.6	4.6	
			80/67	9.1	7.1	10.8	0.6	14.3				70	9.1	7.3	0.6	4.2	
			85/71	9.7	7.3	11.4	0.6	15.4				80	8.9	6.9	0.7	3.8	
	2.5	2.7	75/63	8.6	6.9	10.3	0.6	13.8		60	9.7	7.9	0.6	4.7			
			80/67	9.2	7.1	10.9	0.6	14.9		70	9.4	7.5	0.6	4.3			
			85/71	9.8	7.4	11.5	0.6	16.0		80	9.1	7.1	0.7	3.9			
	3.0	3.0	75/63	8.6	6.9	10.3	0.6	14.1		60	9.8	8.1	0.6	4.8			
			80/67	9.3	7.1	10.9	0.6	15.2		70	9.5	7.6	0.6	4.3			
			85/71	9.9	7.4	11.6	0.6	16.5		80	9.3	7.2	0.7	3.9			
90	2.0	1.9	75/63	8.0	6.7	9.9	0.7	11.6	70	2.0	2.0	60	10.6	8.8	0.6	5.2	
			80/67	8.6	6.9	10.5	0.7	12.4				70	10.3	8.4	0.7	4.6	
			85/71	9.2	7.1	11.1	0.7	13.2				80	10.0	7.9	0.7	4.2	
	2.5	2.6	75/63	8.1	6.7	9.9	0.7	11.9		60	10.8	9.1	0.6	5.3			
			80/67	8.7	6.9	10.6	0.7	12.8		70	10.5	8.6	0.7	4.7			
			85/71	9.3	7.1	11.2	0.7	13.7		80	10.3	8.2	0.7	4.3			
	3.0	2.9	75/63	8.2	6.7	10.0	0.7	12.2		60	11.0	9.3	0.6	5.4			
			80/67	8.8	6.9	10.6	0.7	13.1		70	10.7	8.8	0.7	4.8			
			85/71	9.4	7.2	11.2	0.7	14.0		80	10.4	8.3	0.7	4.3			
100	2.0	1.9	75/63	7.6	6.5	9.6	0.8	10.0	80	2.0	2.0	60	11.7	10.0	0.6	5.7	
			80/67	8.1	6.7	10.2	0.8	10.7				70	11.4	9.5	0.7	5.1	
			85/71	8.7	6.9	10.8	0.8	11.4				80	11.1	9.0	0.7	4.6	
	2.5	2.6	75/63	7.6	6.5	9.6	0.7	10.3		60	12.0	10.3	0.6	5.9			
			80/67	8.2	6.7	10.2	0.7	11.0		70	11.7	9.8	0.7	5.2			
			85/71	8.8	7.0	10.8	0.7	11.8		80	11.4	9.3	0.7	4.7			
	3.0	2.9	75/63	7.7	6.6	9.7	0.7	10.5		60	12.2	10.5	0.6	6.0			
			80/67	8.3	6.7	10.3	0.7	11.2		70	11.9	10.0	0.7	5.3			
			85/71	8.9	7.0	10.9	0.7	12.0		80	11.6	9.4	0.7	4.7			
110	2.0	1.9	75/63	7.1	6.3	9.3	0.8	8.6	Extended Range - Anti-freeze required	30	2.0	2.1	60	7.3	5.6	0.6	3.7
			80/67	7.6	6.5	9.8	0.8	9.2					70	7.0	5.2	0.6	3.4
			85/71	8.2	6.7	10.4	0.8	9.8					80	6.8	4.9	0.7	3.1
	2.5	2.5	75/63	7.2	6.3	9.3	0.8	8.9			60	7.4	5.8	0.6	3.8		
			80/67	7.7	6.6	9.9	0.8	9.4			70	7.2	5.4	0.6	3.4		
			85/71	8.2	6.8	10.5	0.8	10.1			80	6.9	5.0	0.7	3.1		
	3.0	2.9	75/63	7.1	6.0	9.3	0.8	8.7			60	7.5	5.9	0.6	3.8		
			80/67	7.8	6.6	9.9	0.8	9.6			70	7.3	5.5	0.6	3.5		
			85/71	8.3	6.8	10.5	0.8	10.3			80	7.0	5.1	0.7	3.1		

Extended Range - Anti-freeze required

AHRI/ISO13256-1 certified performance is rated at entering air conditions of 80.6°F DB and 66.2°F WB in cooling and 68°F DB in heating.

Tabulated unit performance does not include fan or pump power corrections required for AHRI/ISO standard performance ratings.

Unit performance may be interpolated. Extrapolation is not allowed.

For conditions other than rating conditions provided, consult the BST selection software.

Ratings below 40°F are with a methanol solution.

DISCLAIMER: The performance reported herein is based on testing by FHP. Variations in the installation and operational environment may alter performance. Bosch disclaims all warranties, express and implied, that the performance will be as reported, including the warranty of merchantability and fitness for purpose. In addition, continuous research and development may result in a change to an appliances design and specifications at the time of order, which Bosch may change without notice. Before purchase, confirm the design specifications of the appliance.

Bosch Thermotechnology Corp.
Londonderry, NH • Watertown, MA • Ft. Lauderdale, FL

RL Model Series - Residential Water Source Heat Pumps



Capacity Data 012 (400 CFM)																	
Cooling									Heating								
Entering Fluid Temp (°F)	Water flow (GPM)	Pressure Drop (FOH)	Entering Air Temp DB/WB (°F)	Total Capacity (MBTUH)	Sensible Capacity (MBTUH)	Heat of Rejection (MBTUH)	Power Input (kW)	EER	Entering Fluid Temp (°F)	Water flow (GPM)	Pressure Drop (FOH)	Entering Air Temp (°F)	Total Capacity (MBTUH)	Heat of Absorption (MBTUH)	Power Input (kW)	COP	
50	2.5	3.0	75/63	13.1	9.9	15.1	0.7	20.2	30	2.5	3.2	60	8.9	6.5	0.8	3.3	
			80/67	14.1	10.2	16.0	0.6	21.9				70	8.6	6.1	0.8	3.0	
			85/71	15.0	10.5	16.9	0.6	23.7				80	8.4	5.7	0.9	2.8	
	3.0	3.3	75/63	13.3	10.0	15.2	0.6	21.2		60	9.0	6.7	0.8	3.4			
			80/67	14.2	10.3	16.1	0.6	23.0		70	8.7	6.2	0.8	3.1			
			85/71	15.2	10.6	17.0	0.6	25.1		80	8.5	5.8	0.9	2.8			
	3.5	3.6	75/63	13.4	10.1	15.2	0.6	22.0		60	9.1	6.8	0.8	3.4			
			80/67	14.3	10.4	16.2	0.6	24.0		70	8.8	6.3	0.8	3.1			
			85/71	15.3	10.6	17.1	0.6	26.2		80	8.6	5.9	0.9	2.8			
60	2.5	3.0	75/63	12.6	9.7	14.7	0.7	17.2	40	2.5	3.2	60	10.2	7.8	0.8	3.7	
			80/67	13.4	10.0	15.6	0.7	18.4				70	9.9	7.3	0.9	3.4	
			85/71	14.3	10.3	16.5	0.7	19.8				80	9.7	6.9	0.9	3.1	
	3.0	3.3	75/63	12.7	9.7	14.8	0.7	17.9		60	10.4	7.9	0.8	3.8			
			80/67	13.6	10.1	15.7	0.7	19.3		70	10.1	7.5	0.9	3.4			
			85/71	14.5	10.3	16.6	0.7	20.9		80	9.8	7.1	0.9	3.1			
	3.5	3.6	75/63	12.8	9.8	14.9	0.7	18.4		60	10.5	8.1	0.8	3.8			
			80/67	13.7	10.1	15.8	0.7	20.0		70	10.2	7.6	0.9	3.5			
			85/71	14.6	10.4	16.7	0.7	21.6		80	10.0	7.2	0.9	3.2			
70	2.5	3.0	75/63	12.0	9.4	14.3	0.8	14.8	50	2.5	3.0	60	11.6	9.1	0.8	4.1	
			80/67	12.8	9.7	15.2	0.8	15.8				70	11.4	8.6	0.9	3.8	
			85/71	13.7	10.0	16.0	0.8	16.9				80	11.1	8.2	0.9	3.4	
	3.0	3.3	75/63	12.1	9.5	14.4	0.8	15.3		60	11.8	9.3	0.8	4.2			
			80/67	13.0	9.8	15.3	0.8	16.5		70	11.6	8.9	0.9	3.8			
			85/71	13.8	10.1	16.2	0.8	17.7		80	11.3	8.4	0.9	3.5			
	3.5	3.5	75/63	12.2	9.5	14.5	0.8	15.7		60	12.0	9.5	0.8	4.3			
			80/67	13.1	9.8	15.4	0.8	16.9		70	11.7	9.0	0.9	3.9			
			85/71	14.0	10.1	16.3	0.8	18.3		80	11.5	8.5	1.0	3.5			
80	2.5	2.8	75/63	11.4	9.1	13.9	0.9	12.8	60	2.5	3.0	60	13.1	10.5	0.8	4.6	
			80/67	12.2	9.5	14.8	0.9	13.6				70	12.8	10.0	0.9	4.2	
			85/71	13.0	9.8	15.6	0.9	14.5				80	12.5	9.5	1.0	3.8	
	3.0	3.3	75/63	11.5	9.2	14.0	0.9	13.2		60	13.4	10.8	0.8	4.7			
			80/67	12.3	9.6	14.9	0.9	14.1		70	13.1	10.3	0.9	4.2			
			85/71	13.1	9.9	15.7	0.9	15.1		80	12.7	9.7	1.0	3.8			
	3.5	3.4	75/63	11.6	9.3	14.1	0.9	13.6		60	13.6	11.1	0.8	4.7			
			80/67	12.4	9.6	14.9	0.9	14.5		70	13.3	10.5	0.9	4.3			
			85/71	13.3	9.9	15.8	0.9	15.6		80	12.9	9.9	1.0	3.9			
90	2.5	2.8	75/63	10.8	8.9	13.5	1.0	11.1	70	2.5	3.0	60	14.6	12.1	0.8	5.1	
			80/67	11.5	9.2	14.3	1.0	11.8				70	14.3	11.5	0.9	4.6	
			85/71	12.3	9.5	15.2	1.0	12.5				80	13.9	10.9	1.0	4.1	
	3.0	3.2	75/63	10.9	9.0	13.6	1.0	11.4		60	15.0	12.4	0.8	5.2			
			80/67	11.7	9.3	14.4	1.0	12.2		70	14.6	11.8	0.9	4.7			
			85/71	12.5	9.6	15.3	1.0	13.0		80	14.2	11.2	1.0	4.2			
	3.5	3.4	75/63	11.0	9.0	13.7	0.9	11.7		60	15.2	12.7	0.9	5.3			
			80/67	11.8	9.4	14.5	0.9	12.5		70	14.9	12.0	0.9	4.7			
			85/71	12.6	9.6	15.4	0.9	13.4		80	14.5	11.4	1.0	4.2			
100	2.5	2.8	75/63	10.1	8.7	13.1	1.1	9.6	80	2.5	3.0	60	16.2	13.6	0.9	5.6	
			80/67	10.8	9.0	13.9	1.1	10.2				70	15.8	13.0	0.9	5.0	
			85/71	11.6	9.3	14.7	1.1	10.8				80	15.4	12.3	1.0	4.5	
	3.0	3.2	75/63	10.3	8.7	13.2	1.0	9.9		60	16.6	14.0	0.9	5.7			
			80/67	11.0	9.1	14.0	1.0	10.5		70	16.2	13.4	0.9	5.1			
			85/71	11.8	9.3	14.8	1.1	11.2		80	15.8	12.7	1.0	4.6			
	3.5	3.3	75/63	10.4	8.8	13.3	1.0	10.1		60	16.9	14.3	0.9	5.8			
			80/67	11.1	9.1	14.1	1.0	10.8		70	16.5	13.6	0.9	5.2			
			85/71	11.9	9.4	14.9	1.0	11.5		80	16.0	12.9	1.0	4.6			
110	2.5	2.8	75/63	9.5	8.4	12.7	1.1	8.3	Extended Range - Anti-freeze required	2.5	3.0	60	16.2	13.6	0.9	5.6	
			80/67	10.2	8.7	13.5	1.2	8.8				70	15.8	13.0	0.9	5.0	
			85/71	10.9	9.1	14.3	1.2	9.3				80	15.4	12.3	1.0	4.5	
	3.0	3.1	75/63	9.6	8.5	12.8	1.1	8.5		60	16.6	14.0	0.9	5.7			
			80/67	10.3	8.8	13.6	1.1	9.1		70	16.2	13.4	0.9	5.1			
			85/71	11.0	9.1	14.4	1.2	9.6		80	15.8	12.7	1.0	4.6			
	3.5	3.3	75/63	9.7	8.5	12.9	1.1	8.7		60	16.9	14.3	0.9	5.8			
			80/67	10.4	8.8	13.6	1.1	9.3		70	16.5	13.6	0.9	5.2			
			85/71	11.1	9.2	14.4	1.1	9.8		80	16.0	12.9	1.0	4.6			

Extended Range - Anti-freeze required

AHRI/ISO 13256-1 certified performance is rated at entering air conditions of 80.6°F DB and 66.2°F WB in cooling and 68°F DB in heating.

Tabulated unit performance does not include fan or pump power corrections required for AHRI/ISO standard performance ratings.

Unit performance may be interpolated. Extrapolation is not allowed.

For conditions other than rating conditions provided, consult the BST selection software.

Ratings below 40°F are with a methanol solution.

DISCLAIMER: The performance reported herein is based on testing by FHP. Variations in the installation and operational environment may alter performance. Bosch disclaims all warranties, express and implied, that the performance will be as reported, including the warranty of merchantability and fitness for purpose. In addition, continuous research and development may result in a change to an appliances design and specifications at the time of order, which Bosch may change without notice. Before purchase, confirm the design specifications of the appliance.

Bosch Thermotechnology Corp.
Londonderry, NH • Watertown, MA • Ft. Lauderdale, FL

RL Model Series - Residential Water Source Heat Pumps



Capacity Data 015 (500 CFM)																	
Cooling									Heating								
Entering Fluid Temp (°F)	Water flow (GPM)	Pressure Drop (FOH)	Entering Air Temp DB/WB (°F)	Total Capacity (MBTUH)	Sensible Capacity (MBTUH)	Heat of Rejection (MBTUH)	Power Input (kW)	EER	Entering Fluid Temp (°F)	Water flow (GPM)	Pressure Drop (FOH)	Entering Air Temp (°F)	Total Capacity (MBTUH)	Heat of Absorption (MBTUH)	Power Input (kW)	COP	
50	2.0	3.5	75/63	15.4	12.1	17.8	0.9	16.8	30	2.0	2.1	60	10.0	7.5	0.9	3.2	
			80/67	16.6	12.4	19.0	0.9	18.2				70	9.8	7.1	1.0	2.9	
			85/71	17.7	12.8	20.2	0.9	19.5				80	9.6	6.6	1.0	2.7	
	3.0	7.5	75/63	16.0	12.2	18.3	0.9	18.8		60	10.5	7.9	0.9	3.3			
			80/67	17.2	12.6	19.4	0.8	20.5		70	10.3	7.5	1.0	3.0			
			85/71	18.3	13.0	20.6	0.8	22.2		80	10.0	7.0	1.1	2.8			
	4.0	12.4	75/63	16.3	12.3	18.5	0.8	19.9		60	10.8	8.2	0.9	3.4			
			80/67	17.4	12.7	19.6	0.8	21.8		70	10.5	7.8	1.0	3.1			
			85/71	18.6	13.3	20.8	0.8	23.8		80	10.2	7.2	1.1	2.8			
60	2.0	2.0	75/63	14.8	11.7	17.4	1.0	14.8	40	2.0	2.1	60	11.4	8.8	0.9	3.5	
			80/67	15.8	12.2	18.4	1.0	15.8				70	11.2	8.3	1.0	3.2	
			85/71	17.1	12.2	19.7	1.0	17.1				80	10.9	7.9	1.1	3.0	
	3.0	4.2	75/63	15.3	11.9	17.7	0.9	16.2		60	12.1	9.4	1.0	3.7			
			80/67	16.5	12.3	18.9	0.9	17.7		70	11.8	8.9	1.0	3.4			
			85/71	17.6	12.7	20.1	0.9	19.2		80	11.5	8.4	1.1	3.1			
	4.0	6.9	75/63	15.5	12.1	17.9	0.9	17.1		60	12.6	9.8	1.0	3.8			
			80/67	16.7	12.4	19.1	0.9	18.8		70	12.1	9.2	1.0	3.5			
			85/71	17.9	12.9	20.3	0.9	20.4		80	11.8	8.6	1.1	3.2			
70	2.0	2.0	75/63	14.1	11.5	16.9	1.1	13.0	50	2.0	2.0	60	13.1	10.3	1.0	4.0	
			80/67	15.1	11.8	18.0	1.1	13.9				70	12.8	9.8	1.0	3.6	
			85/71	16.0	12.5	18.9	1.1	14.6				80	12.5	9.3	1.1	3.3	
	3.0	4.1	75/63	14.6	11.6	17.2	1.0	14.2		60	13.9	11.0	1.0	4.2			
			80/67	15.6	12.1	18.3	1.0	15.3		70	13.5	10.4	1.1	3.8			
			85/71	16.6	12.7	19.4	1.0	16.4		80	13.2	9.9	1.1	3.4			
	4.0	6.8	75/63	14.8	11.7	17.4	1.0	14.9		60	14.4	11.5	1.0	4.3			
			80/67	15.9	12.2	18.5	1.0	16.1		70	14.0	10.9	1.1	3.9			
			85/71	17.1	12.6	19.8	1.0	17.6		80	13.6	10.3	1.1	3.5			
80	2.0	1.9	75/63	13.3	11.4	16.3	1.2	11.3	60	2.0	2.0	60	14.6	11.8	1.0	4.3	
			80/67	14.2	11.8	17.3	1.2	12.0				70	14.3	11.2	1.1	3.9	
			85/71	15.4	11.9	18.5	1.2	12.9				80	14.0	10.7	1.1	3.6	
	3.0	4.1	75/63	14.0	11.2	16.8	1.1	12.5		60	15.6	12.7	1.0	4.6			
			80/67	14.9	11.8	17.8	1.1	13.4		70	15.1	12.1	1.1	4.1			
			85/71	16.0	12.2	18.9	1.1	14.3		80	14.9	11.5	1.2	3.8			
	4.0	6.7	75/63	14.1	11.5	16.9	1.1	13.0		60	16.2	13.2	1.0	4.7			
			80/67	15.2	11.9	18.0	1.1	14.0		70	15.6	12.7	1.1	4.2			
			85/71	16.2	12.3	19.1	1.1	15.1		80	15.4	11.9	1.2	3.9			
90	2.0	1.9	75/63	12.2	11.2	15.5	1.3	9.7	70	2.0	2.0	60	16.3	13.4	1.0	4.7	
			80/67	14.4	9.3	17.3	1.3	11.1				70	16.0	12.8	1.1	4.3	
			85/71	13.5	12.0	17.2	1.3	10.6				80	15.6	12.2	1.2	3.9	
	3.0	4.0	75/63	13.0	11.3	16.1	1.2	10.8		60	17.4	14.5	1.0	5.0			
			80/67	13.9	11.9	17.1	1.2	11.4		70	17.0	13.8	1.1	4.5			
			85/71	13.8	12.1	17.4	1.2	11.4		80	16.5	13.2	1.2	4.1			
	4.0	6.6	75/63	13.2	11.3	16.3	1.2	11.2		60	18.1	15.1	1.0	5.2			
			80/67	14.2	11.8	17.3	1.2	12.0		70	17.7	14.4	1.1	4.7			
			85/71	15.0	12.5	18.2	1.2	12.7		80	17.1	13.8	1.2	4.2			
100	2.0	1.9	75/63	11.7	10.9	15.2	1.4	8.6	80	2.0	2.0	60	18.0	15.0	1.0	5.2	
			80/67	12.2	11.3	15.9	1.4	8.9				70	17.6	14.5	1.1	4.6	
			85/71	12.8	11.8	16.7	1.4	9.3				80	17.2	13.8	1.2	4.2	
	3.0	4.0	75/63	12.0	11.0	15.4	1.3	9.2		60	19.3	16.3	1.0	5.5			
			80/67	12.6	11.5	16.1	1.3	9.6		70	18.8	15.7	1.1	4.9			
			85/71	13.3	11.9	17.0	1.3	10.1		80	18.5	14.9	1.2	4.5			
	4.0	6.4	75/63	12.2	11.1	15.5	1.3	9.5		60	20.1	17.1	1.0	5.7			
			80/67	14.2	9.1	17.2	1.3	10.7		70	19.6	16.3	1.1	5.1			
			85/71	15.1	8.6	18.2	1.4	11.0		80	19.0	15.6	1.2	4.6			
110	2.0	1.9	75/63	11.0	10.7	14.7	1.5	7.5	Extended Range - Anti-freeze required	2.0	2.0	60	18.0	15.0	1.0	5.2	
			80/67	11.6	11.1	15.5	1.5	7.8				70	17.6	14.5	1.1	4.6	
			85/71	12.2	11.6	16.3	1.5	8.2				80	17.2	13.8	1.2	4.2	
	3.0	3.9	75/63	11.3	10.8	14.9	1.4	8.0		60	19.3	16.3	1.0	5.5			
			80/67	12.0	11.3	15.7	1.4	8.5		70	18.8	15.7	1.1	4.9			
			85/71	14.1	9.3	17.5	1.5	9.7		80	18.5	14.9	1.2	4.5			
	4.0	6.4	75/63	12.3	9.5	15.6	1.4	8.7		60	20.1	17.1	1.0	5.7			
			80/67	13.3	9.2	16.6	1.4	9.3		70	19.6	16.3	1.1	5.1			
			85/71	12.8	11.8	16.7	1.4	9.2		80	19.0	15.6	1.2	4.6			

Extended Range - Anti-freeze required

AHRI/ISO 13256-1 certified performance is rated at entering air conditions of 80.6°F DB and 66.2°F WB in cooling and 68°F DB in heating.

Tabulated unit performance does not include fan or pump power corrections required for AHRI/ISO standard performance ratings.

Unit performance may be interpolated. Extrapolation is not allowed.

For conditions other than rating conditions provided, consult the BST selection software.

Ratings below 40°F are with a methanol solution.

DISCLAIMER: The performance reported herein is based on testing by FHP. Variations in the installation and operational environment may alter performance. Bosch disclaims all warranties, express and implied, that the performance will be as reported, including the warranty of merchantability and fitness for purpose. In addition, continuous research and development may result in a change to an appliances design and specifications at the time of order, which Bosch may change without notice. Before purchase, confirm the design specifications of the appliance.

Bosch Thermotechnology Corp.
Londonderry, NH • Watertown, MA • Ft. Lauderdale, FL

RL Model Series - Residential Water Source Heat Pumps



BOSCH

Capacity Data 018 (600 CFM)																	
Cooling									Heating								
Entering Fluid Temp (°F)	Water flow (GPM)	Pressure Drop (FOH)	Entering Air Temp DB/WB (°F)	Total Capacity (MBTUH)	Sensible Capacity (MBTUH)	Heat of Rejection (MBTUH)	Power Input (kW)	EER	Entering Fluid Temp (°F)	Water flow (GPM)	Pressure Drop (FOH)	Entering Air Temp (°F)	Total Capacity (MBTUH)	Heat of Absorption (MBTUH)	Power Input (kW)	COP	
50	2.3	1.4	75/63	19.1	14.7	22.2	1.1	16.8	30	2.3	1.4	60	13.0	9.7	1.1	3.3	
			80/67	20.8	14.4	23.8	1.1	18.1				70	12.7	9.2	1.2	3.0	
			85/71	21.4	16.1	24.7	1.1	18.6				80	12.4	8.6	1.3	2.8	
	3.4	3.0	75/63	19.4	15.3	22.4	1.0	18.7		60	13.7	10.3	1.2	3.5			
			80/67	20.8	15.9	23.9	1.0	20.1		70	13.3	9.8	1.2	3.2			
			85/71	22.2	16.4	25.2	1.0	21.5		80	13.0	9.2	1.3	2.9			
	4.5	5.0	75/63	19.9	15.5	22.8	1.0	20.2		60	14.1	10.7	1.2	3.5			
			80/67	21.2	16.0	24.1	1.0	21.7		70	13.7	10.1	1.3	3.2			
			85/71	23.1	16.1	25.9	1.0	24.1		80	13.4	9.5	1.3	3.0			
60	2.3	1.3	75/63	18.2	14.3	21.6	1.2	14.6	40	2.3	1.4	60	14.8	11.4	1.2	3.7	
			80/67	19.5	14.8	23.0	1.3	15.4				70	14.5	10.8	1.3	3.3	
			85/71	20.3	15.8	24.0	1.3	16.0				80	14.2	10.3	1.4	3.1	
	3.4	2.9	75/63	18.9	14.6	22.1	1.2	16.3		60	15.7	12.2	1.2	3.8			
			80/67	19.8	15.5	23.2	1.2	17.1		70	15.3	11.6	1.3	3.5			
			85/71	21.3	16.1	24.7	1.2	18.4		80	15.0	10.8	1.4	3.2			
	4.5	4.9	75/63	19.3	14.7	22.3	1.1	17.4		60	16.3	12.7	1.2	3.9			
			80/67	21.1	14.5	24.0	1.1	19.0		70	15.8	12.1	1.3	3.6			
			85/71	21.7	16.2	25.0	1.1	19.8		80	15.4	11.3	1.4	3.2			
70	2.3	1.3	75/63	17.4	14.0	21.1	1.4	12.8	50	2.3	1.3	60	16.8	13.2	1.2	4.0	
			80/67	18.6	14.4	22.3	1.4	13.4				70	16.5	12.5	1.3	3.7	
			85/71	19.2	15.4	23.2	1.4	13.7				80	16.2	11.9	1.4	3.4	
	3.4	2.9	75/63	18.0	14.3	21.5	1.3	14.1		60	17.9	14.2	1.2	4.2			
			80/67	19.3	14.7	22.9	1.3	15.0		70	17.4	13.5	1.3	3.8			
			85/71	20.1	15.7	23.9	1.3	15.6		80	17.1	12.8	1.4	3.5			
	4.5	4.8	75/63	18.5	14.2	21.9	1.2	15.1		60	18.5	14.7	1.3	4.3			
			80/67	19.3	15.3	22.9	1.2	15.7		70	18.0	14.0	1.4	3.9			
			85/71	20.6	15.9	24.2	1.2	16.7		80	17.6	13.3	1.5	3.5			
80	2.3	1.3	75/63	16.5	13.8	20.5	1.5	11.1	60	2.3	1.3	60	18.8	15.1	1.3	4.4	
			80/67	17.0	14.5	21.3	1.5	11.4				70	18.4	14.4	1.4	4.0	
			85/71	19.7	12.4	23.5	1.5	12.8				80	18.1	13.8	1.5	3.6	
	3.4	2.9	75/63	17.2	13.9	21.0	1.4	12.3		60	20.0	16.3	1.3	4.6			
			80/67	17.7	14.7	21.7	1.4	12.6		70	19.6	15.6	1.4	4.1			
			85/71	19.0	15.3	23.1	1.4	13.4		80	19.3	14.9	1.5	3.8			
	4.5	4.8	75/63	17.5	14.1	21.2	1.4	13.0		60	20.8	17.0	1.3	4.7			
			80/67	18.7	14.6	22.4	1.4	13.7		70	20.4	16.3	1.4	4.3			
			85/71	19.4	15.5	23.4	1.4	14.2		80	20.1	15.4	1.5	3.9			
90	2.3	1.3	75/63	15.5	13.7	19.9	1.6	9.6	70	2.3	1.3	60	20.8	17.1	1.3	4.7	
			80/67	15.9	14.0	20.6	1.6	9.8				70	20.5	16.5	1.4	4.3	
			85/71	16.8	14.6	21.7	1.7	10.1				80	20.2	15.8	1.5	3.9	
	3.4	2.8	75/63	15.4	13.7	19.7	1.5	10.2		60	22.3	18.6	1.3	5.0			
			80/67	18.2	12.3	22.1	1.6	11.7		70	22.0	17.8	1.4	4.5			
			85/71	17.3	14.8	22.0	1.5	11.2		80	21.6	17.0	1.5	4.1			
	4.5	4.7	75/63	16.6	13.6	20.6	1.5	11.2		60	23.3	19.5	1.3	5.2			
			80/67	17.1	14.5	21.4	1.5	11.5		70	22.8	18.6	1.4	4.7			
			85/71	19.9	12.9	23.7	1.5	13.2		80	22.4	17.8	1.6	4.2			
100	2.3	1.3	75/63	15.3	12.0	19.8	1.8	8.7	80	2.3	1.3	60	23.1	19.3	1.3	5.1	
			80/67	15.2	13.8	20.2	1.8	8.6				70	22.7	18.6	1.4	4.6	
			85/71	15.7	14.2	21.1	1.8	8.8				80	22.4	17.8	1.6	4.2	
	3.4	2.8	75/63	14.8	13.4	19.4	1.7	9.0		60	24.8	21.0	1.3	5.4			
			80/67	17.4	11.5	21.6	1.7	10.2		70	24.3	20.1	1.5	4.9			
			85/71	16.4	14.5	21.4	1.7	9.7		80	23.9	19.3	1.6	4.4			
	4.5	4.6	75/63	14.8	13.4	19.3	1.6	9.2		60	25.8	22.1	1.3	5.6			
			80/67	17.8	11.6	21.8	1.6	10.8		70	25.3	21.1	1.5	5.1			
			85/71	16.9	14.6	21.7	1.6	10.3		80	24.8	20.1	1.6	4.5			
110	2.3	1.3	75/63	13.7	13.0	18.8	1.9	7.2	Extended Range - Anti-freeze required	2.3	1.3	60	23.1	19.3	1.3	5.1	
			80/67	15.6	11.7	20.5	2.0	8.0				70	22.7	18.6	1.4	4.6	
			85/71	15.2	14.1	20.9	2.0	7.8				80	22.4	17.8	1.6	4.2	
	3.4	2.7	75/63	14.9	12.1	19.5	1.8	8.2		60	24.8	21.0	1.3	5.4			
			80/67	15.0	13.7	20.1	1.8	8.2		70	24.3	20.1	1.5	4.9			
			85/71	15.6	14.2	21.0	1.8	8.5		80	23.9	19.3	1.6	4.4			
	4.5	4.6	75/63	15.3	12.0	19.8	1.8	8.6		60	25.8	22.1	1.3	5.6			
			80/67	15.2	13.8	20.2	1.8	8.6		70	25.3	21.1	1.5	5.1			
			85/71	15.9	14.3	21.2	1.8	8.9		80	24.8	20.1	1.6	4.5			

Extended Range - Anti-freeze required

AHR/ISO13256-1 certified performance is rated at entering air conditions of 80.6°F DB and 66.2°F WB in cooling and 68°F DB in heating.

Tabulated unit performance does not include fan or pump power corrections required for AHR/ISO standard performance ratings.

Unit performance may be interpolated. Extrapolation is not allowed.

For conditions other than rating conditions provided, consult the BST selection software.

Ratings below 40°F are with a methanol solution.

DISCLAIMER: The performance reported herein is based on testing by FHP. Variations in the installation and operational environment may alter performance. Bosch disclaims all warranties, express and implied, that the performance will be as reported, including the warranty of merchantability and fitness for purpose. In addition, continuous research and development may result in a change to an appliances design and specifications at the time of order, which Bosch may change without notice. Before purchase, confirm the design specifications of the appliance.

Bosch Thermotechnology Corp.
Londonderry, NH • Watertown, MA • Ft. Lauderdale, FL

RL Model Series - Residential Water Source Heat Pumps



Capacity Data 024 (800 CFM)																	
Cooling									Heating								
Entering Fluid Temp (°F)	Water flow (GPM)	Pressure Drop (FOH)	Entering Air Temp DB/WB (°F)	Total Capacity (MBTUH)	Sensible Capacity (MBTUH)	Heat of Rejection (MBTUH)	Power Input (kW)	EER	Entering Fluid Temp (°F)	Water flow (GPM)	Pressure Drop (FOH)	Entering Air Temp (°F)	Total Capacity (MBTUH)	Heat of Absorption (MBTUH)	Power Input (kW)	COP	
50	3.0	1.5	75/63	24.7	18.9	29.2	1.6	15.8	30	3.0	1.5	60	16.1	11.8	1.4	3.3	
			80/67	26.1	19.9	30.7	1.6	16.5				70	15.8	11.2	1.5	3.0	
			85/71	27.7	20.4	32.4	1.6	17.3				80	15.4	10.6	1.6	2.7	
	4.5	2.8	75/63	25.5	19.6	29.7	1.4	17.8		60	17.0	12.6	1.5	3.4			
			80/67	27.2	20.2	31.4	1.4	18.9		70	16.6	12.0	1.6	3.1			
			85/71	29.0	20.8	33.2	1.4	20.2		80	16.2	11.3	1.7	2.8			
	6.0	4.8	75/63	26.0	19.9	30.0	1.4	19.1		60	17.6	13.1	1.5	3.5			
			80/67	27.7	20.5	31.7	1.4	20.4		70	17.1	12.4	1.6	3.2			
			85/71	29.6	21.1	33.6	1.3	21.9		80	16.7	11.7	1.7	2.9			
60	3.0	1.5	75/63	23.1	19.3	28.1	1.7	13.5	40	3.0	1.5	60	18.4	13.9	1.5	3.6	
			80/67	25.2	18.9	30.1	1.7	14.5				70	18.1	13.2	1.6	3.3	
			85/71	26.2	20.5	31.4	1.8	14.9				80	17.7	12.6	1.7	3.0	
	4.5	2.8	75/63	24.2	19.5	28.8	1.6	15.3		60	19.6	15.0	1.5	3.8			
			80/67	26.0	19.8	30.7	1.6	16.3		70	19.1	14.2	1.6	3.4			
			85/71	27.7	20.4	32.4	1.6	17.3		80	18.7	13.5	1.8	3.1			
	6.0	4.8	75/63	24.6	19.7	29.1	1.5	16.2		60	20.2	15.6	1.5	3.9			
			80/67	26.6	20.0	31.0	1.5	17.5		70	19.8	14.8	1.7	3.5			
			85/71	28.3	20.6	32.8	1.5	18.6		80	19.3	14.0	1.8	3.2			
70	3.0	1.4	75/63	22.2	18.6	27.5	1.9	11.9	50	3.0	1.4	60	20.9	16.2	1.6	3.9	
			80/67	23.4	19.6	29.0	1.9	12.4				70	20.5	15.5	1.7	3.6	
			85/71	23.7	19.9	29.7	1.9	12.4				80	20.1	14.7	1.8	3.3	
	4.5	2.8	75/63	22.9	19.2	28.0	1.7	13.2		60	22.3	17.5	1.6	4.1			
			80/67	25.1	18.9	30.1	1.8	14.2		70	21.8	16.7	1.7	3.8			
			85/71	26.1	20.4	31.4	1.8	14.7		80	21.4	15.9	1.8	3.4			
	6.0	4.8	75/63	23.4	19.4	28.2	1.7	14.0		60	23.1	18.2	1.6	4.2			
			80/67	25.1	19.9	30.1	1.7	14.9		70	22.6	17.4	1.7	3.9			
			85/71	26.6	20.8	31.7	1.7	15.8		80	22.1	16.5	1.8	3.5			
80	3.0	1.4	75/63	21.9	16.3	27.4	2.0	10.7	60	3.0	1.4	60	23.5	18.6	1.6	4.3	
			80/67	21.6	18.9	27.8	2.1	10.5				70	23.1	17.8	1.7	3.9	
			85/71	22.5	19.5	29.0	2.1	10.9				80	22.8	17.1	1.9	3.6	
	4.5	2.7	75/63	22.1	18.2	27.4	1.9	11.6		60	25.1	20.2	1.6	4.5			
			80/67	22.3	19.2	28.2	1.9	11.7		70	24.7	19.3	1.8	4.1			
			85/71	23.6	19.9	29.7	1.9	12.2		80	24.3	18.5	1.9	3.8			
	6.0	4.7	75/63	22.1	18.9	27.4	1.8	12.1		60	26.1	21.1	1.6	4.7			
			80/67	23.7	19.7	29.2	1.9	12.8		70	25.6	20.2	1.8	4.2			
			85/71	25.1	20.4	30.8	1.9	13.5		80	25.2	19.3	1.9	3.9			
90	3.0	1.4	75/63	19.5	17.8	25.9	2.2	8.9	70	3.0	1.4	60	26.2	21.2	1.6	4.7	
			80/67	20.2	18.4	27.0	2.2	9.2				70	25.8	20.4	1.8	4.3	
			85/71	24.2	14.9	30.1	2.3	10.5				80	25.5	19.6	1.9	3.9	
	4.5	2.7	75/63	21.6	16.3	27.2	2.1	10.4		60	28.1	23.1	1.7	5.0			
			80/67	21.4	18.8	27.7	2.1	10.2		70	27.6	22.1	1.8	4.5			
			85/71	22.4	19.5	29.0	2.1	10.7		80	27.1	21.2	1.9	4.1			
	6.0	4.6	75/63	22.1	16.4	27.5	2.0	10.9		60	29.3	24.2	1.7	5.1			
			80/67	21.7	19.0	27.9	2.0	10.8		70	28.7	23.2	1.8	4.6			
			85/71	23.0	19.7	29.4	2.0	11.3		80	28.2	22.1	2.0	4.2			
100	3.0	1.4	75/63	19.7	15.4	26.1	2.4	8.2	80	3.0	1.4	60	28.9	23.9	1.7	5.1	
			80/67	19.4	18.1	26.6	2.4	8.1				70	28.5	23.0	1.8	4.6	
			85/71	22.9	15.0	29.5	2.5	9.2				80	28.1	22.1	2.0	4.2	
	4.5	2.6	75/63	19.1	17.6	25.6	2.2	8.5		60	31.2	26.1	1.7	5.4			
			80/67	22.1	15.9	28.2	2.3	9.6		70	30.7	25.0	1.8	4.9			
			85/71	21.5	19.1	28.5	2.3	9.4		80	30.1	24.0	2.0	4.4			
	6.0	4.5	75/63	19.6	17.9	25.9	2.2	9.0		60	32.5	27.4	1.7	5.6			
			80/67	20.6	18.5	27.2	2.2	9.4		70	31.9	26.3	1.9	5.1			
			85/71	21.8	19.3	28.7	2.2	9.9		80	31.3	25.1	2.0	4.5			
110	3.0	1.3	Operation Not Recommended														
	4.5	2.6	75/63	18.4	17.2	25.3	2.4	7.6									
			80/67	19.6	18.2	26.8	2.5	7.9									
			85/71	20.2	18.7	27.9	2.5	8.1									
	6.0	4.4	75/63	19.5	15.9	26.0	2.4	8.2									
			80/67	19.5	18.1	26.6	2.4	8.2									
85/71			20.9	19.0	28.2	2.4	8.7										

Extended Range - Anti-freeze required

AHRI/ISO13256-1 certified performance is rated at entering air conditions of 80.6°F DB and 66.2°F WB in cooling and 68°F DB in heating.

Tabulated unit performance does not include fan or pump power corrections required for AHRI/ISO standard performance ratings.

Unit performance may be interpolated. Extrapolation is not allowed.

For conditions other than rating conditions provided, consult the BST selection software.

Ratings below 40°F are with a methanol solution.

DISCLAIMER: The performance reported herein is based on testing by FHP. Variations in the installation and operational environment may alter performance. Bosch disclaims all warranties, express and implied, that the performance will be as reported, including the warranty of merchantability and fitness for purpose. In addition, continuous research and development may result in a change to an appliances design and specifications at the time of order, which Bosch may change without notice. Before purchase, confirm the design specifications of the appliance.

Bosch Thermotechnology Corp.
Londonderry, NH • Watertown, MA • Ft. Lauderdale, FL

RL Model Series - Residential Water Source Heat Pumps



BOSCH

Capacity Data 030 (1000 CFM)																		
Cooling									Heating									
Entering Fluid Temp (°F)	Water flow (GPM)	Pressure Drop (FOH)	Entering Air Temp DB/WB (°F)	Total Capacity (MBTUH)	Sensible Capacity (MBTUH)	Heat of Rejection (MBTUH)	Power Input (kW)	EER	Entering Fluid Temp (°F)	Water flow (GPM)	Pressure Drop (FOH)	Entering Air Temp (°F)	Total Capacity (MBTUH)	Heat of Absorption (MBTUH)	Power Input (kW)	COP		
50	7.0	3.3	75/63	32.2	24.7	36.9	1.6	20.3	30	7.0	3.3	60	23.0	17.4	1.9	3.6		
			80/67	34.5	25.4	39.2	1.6	22.2				70	22.5	16.4	2.0	3.3		
			85/71	36.8	26.4	41.5	1.5	24.2				80	21.9	15.4	2.1	3.0		
	7.5	3.6	75/63	32.3	24.8	37.0	1.6	20.6		40	7.5	3.7	60	23.1	17.5	1.9	3.6	
			80/67	34.6	25.5	39.2	1.5	22.5					70	22.6	16.5	2.0	3.3	
			85/71	36.9	26.5	41.6	1.5	24.7					80	22.0	15.5	2.1	3.0	
	8.0	4.3	75/63	32.4	24.8	37.0	1.5	21.0			50	8.0	4.4	60	23.3	17.6	1.9	3.6
			80/67	34.7	25.6	39.3	1.5	22.9						70	22.7	16.6	2.0	3.3
			85/71	37.2	26.3	41.8	1.5	25.1						80	22.2	15.7	2.2	3.0
60	7.0	3.3	75/63	30.8	24.2	36.1	1.8	17.3	60			7.0	3.3	60	26.4	20.2	1.9	4.0
			80/67	33.1	24.8	38.4	1.8	18.8						70	25.9	19.5	2.1	3.6
			85/71	35.4	25.6	40.7	1.7	20.4						80	25.3	18.5	2.2	3.3
	7.5	3.5	75/63	30.9	24.3	36.1	1.8	17.5		70		7.5	3.7	60	26.6	20.7	2.0	4.0
			80/67	33.2	24.9	38.5	1.7	19.1						70	26.0	19.7	2.1	3.6
			85/71	35.5	25.8	40.7	1.7	20.7						80	25.5	18.7	2.2	3.3
	8.0	4.3	75/63	30.9	24.4	36.2	1.7	17.7			80	8.0	4.3	60	26.8	20.9	2.0	4.0
			80/67	33.4	24.9	38.5	1.7	19.3						70	26.2	19.9	2.1	3.7
			85/71	35.6	25.9	40.8	1.7	21.0						80	25.6	18.8	2.2	3.4
70	7.0	3.2	75/63	29.5	23.6	35.3	2.0	15.0	50			7.0	3.2	60	30.0	23.9	2.0	4.4
			80/67	31.6	24.5	37.5	2.0	16.2						70	29.4	22.8	2.2	4.0
			85/71	33.9	25.1	39.8	1.9	17.4						80	28.9	21.8	2.3	3.7
	7.5	3.5	75/63	29.6	23.6	35.4	2.0	15.1		60		7.5	3.6	60	30.2	24.1	2.0	4.4
			80/67	31.7	24.6	37.6	1.9	16.4						70	29.6	23.0	2.2	4.0
			85/71	34.1	25.2	39.9	1.9	17.7						80	29.1	22.0	2.3	3.7
	8.0	4.2	75/63	29.7	23.7	35.5	1.9	15.3			70	8.0	4.3	60	30.4	24.3	2.0	4.4
			80/67	31.8	24.6	37.6	1.9	16.5						70	29.8	23.2	2.2	4.0
			85/71	34.2	25.1	40.0	1.9	17.9						80	29.3	22.1	2.3	3.7
80	7.0	3.2	75/63	28.1	23.1	34.5	2.2	13.0	60			7.0	3.2	60	33.9	27.6	2.1	4.8
			80/67	30.2	23.9	36.7	2.2	14.0						70	33.2	26.5	2.2	4.4
			85/71	32.3	24.8	38.8	2.2	15.0						80	33.0	25.3	2.4	4.0
	7.5	3.4	75/63	28.2	23.1	34.5	2.2	13.1		70		7.5	3.6	60	34.2	27.9	2.1	4.8
			80/67	30.4	23.9	36.7	2.1	14.2						70	33.5	26.7	2.2	4.4
			85/71	32.5	24.8	38.9	2.1	15.2						80	33.2	25.5	2.4	4.0
	8.0	4.1	75/63	28.2	23.3	34.6	2.1	13.2			80	8.0	4.2	60	34.4	28.1	2.1	4.9
			80/67	30.4	24.1	36.8	2.1	14.3						70	33.8	27.0	2.2	4.4
			85/71	32.6	24.9	39.0	2.1	15.4						80	33.1	25.7	2.4	4.0
90	7.0	3.2	75/63	26.8	22.4	33.7	2.4	11.3	70			7.0	3.2	60	38.1	31.6	2.1	5.3
			80/67	28.7	23.4	35.7	2.4	12.1						70	37.4	30.3	2.3	4.8
			85/71	30.9	24.0	37.9	2.4	13.0						80	36.5	29.0	2.5	4.3
	7.5	3.4	75/63	26.9	22.5	33.7	2.4	11.4		80		7.5	3.5	60	38.5	31.9	2.1	5.3
			80/67	28.8	23.5	35.8	2.4	12.3						70	37.8	30.6	2.3	4.8
			85/71	31.0	24.1	38.0	2.4	13.2						80	37.2	29.2	2.5	4.4
	8.0	4.1	75/63	26.9	22.5	33.8	2.3	11.5			90	8.0	4.2	60	38.8	32.2	2.1	5.3
			80/67	29.1	23.0	36.0	2.3	12.4						70	38.0	30.9	2.3	4.8
			85/71	31.1	24.3	38.0	2.3	13.3						80	37.5	29.5	2.5	4.4
100	7.0	3.2	75/63	24.9	22.5	32.5	2.6	9.7	60			7.0	3.2	60	42.3	35.7	2.2	5.7
			80/67	27.3	22.6	34.9	2.6	10.5						70	41.3	34.2	2.4	5.1
			85/71	29.2	23.7	36.9	2.6	11.2						80	41.0	32.7	2.6	4.7
	7.5	3.3	75/63	25.4	21.9	32.9	2.6	9.9		70		7.5	3.5	60	42.7	36.1	2.2	5.8
			80/67	27.4	22.8	35.0	2.6	10.6						70	41.7	34.5	2.4	5.2
			85/71	29.3	23.7	37.0	2.6	11.3						80	41.3	33.1	2.6	4.7
	8.0	4.0	75/63	25.5	22.0	32.9	2.5	10.0			80	8.0	4.1	60	43.0	36.4	2.2	5.8
			80/67	27.5	22.7	35.0	2.6	10.7						70	42.0	34.8	2.4	5.2
			85/71	29.4	23.6	37.1	2.6	11.4						80	41.4	33.4	2.6	4.7
110	7.0	3.0	75/63	23.4	21.9	31.7	2.8	8.4	50			7.0	3.0	60	46.3	39.7	2.3	6.5
			80/67	26.3	20.5	34.4	2.9	9.2						70	45.3	38.7	2.5	6.0
			85/71	26.9	24.0	35.6	2.8	9.5						80	44.3	37.7	2.7	5.6
	7.5	3.3	75/63	23.5	21.9	31.7	2.8	8.5		60		7.5	3.3	60	46.7	40.1	2.3	6.6
			80/67	26.4	20.5	34.5	2.8	9.3						70	45.7	39.1	2.5	6.1
			85/71	27.0	24.0	35.7	2.8	9.6						80	44.7	38.1	2.7	5.7
	8.0	3.9	75/63	23.6	21.9	31.8	2.8	8.6			70	8.0	3.9	60	47.1	40.9	2.3	6.6
			80/67	26.5	20.5	34.5	2.8	9.4						70	46.1	39.9	2.5	6.1
			85/71	27.1	24.0	35.7	2.8	9.7						80	45.1	38.9	2.7	5.7

Extended Range - Anti-freeze required

AHRI/ISO13256-1 certified performance is rated at entering air conditions of 80.6°F DB and 66.2°F WB in cooling and 68°F DB in heating.

Tabulated unit performance does not include fan or pump power corrections required for AHRI/ISO standard performance ratings.

Unit performance may be interpolated. Extrapolation is not allowed.

For conditions other than rating conditions provided, consult the BST selection software.

Ratings below 40°F are with a methanol solution.

DISCLAIMER: The performance reported herein is based on testing by FHP. Variations in the installation and operational environment may alter performance. Bosch disclaims all warranties, express and implied, that the performance will be as reported, including the warranty of merchantability and fitness for purpose. In addition, continuous research and development may result in a change to an appliances design and specifications at the time of order, which Bosch may change without notice. Before purchase, confirm the design specifications of the appliance.

Bosch Thermotechnology Corp.
Londonderry, NH • Watertown, MA • Ft. Lauderdale, FL

RL Model Series - Residential Water Source Heat Pumps



BOSCH

Capacity Data 036 (1200 CFM)																	
Cooling									Heating								
Entering Fluid Temp (°F)	Water flow (GPM)	Pressure Drop (FOH)	Entering Air Temp DB/WB (°F)	Total Capacity (MBTUH)	Sensible Capacity (MBTUH)	Heat of Rejection (MBTUH)	Power Input (kW)	EER	Entering Fluid Temp (°F)	Water flow (GPM)	Pressure Drop (FOH)	Entering Air Temp (°F)	Total Capacity (MBTUH)	Heat of Absorption (MBTUH)	Power Input (kW)	COP	
50	8.5	4.1	75/63	40.3	29.8	46.7	2.1	19.6	30	8.5	4.0	4.4	60	27.2	20.1	2.2	3.6
			80/67	43.2	30.8	49.6	2.1	21.0					70	26.6	18.9	2.4	3.2
			85/71	46.2	31.6	52.7	2.1	22.3					80	26.1	17.8	2.6	2.9
	9.0	4.3	75/63	40.5	29.9	46.8	2.0	19.8		60	27.3	20.2	2.2	3.6			
			80/67	43.3	30.9	49.7	2.0	21.2		70	26.7	19.0	2.4	3.2			
			85/71	46.3	31.7	52.8	2.1	22.6		80	26.3	17.9	2.7	2.9			
	9.5	5.3	75/63	40.6	29.9	46.9	2.0	20.0		60	27.5	20.3	2.2	3.6			
			80/67	43.5	31.0	49.8	2.0	21.4		70	26.8	19.1	2.4	3.2			
			85/71	46.5	31.7	52.9	2.0	22.8		80	26.4	18.0	2.7	2.9			
60	8.5	4.1	75/63	38.7	29.2	45.6	2.2	17.3	40	8.5	4.0	4.4	60	30.8	23.7	2.3	3.9
			80/67	41.5	30.1	48.5	2.2	18.5					70	30.2	22.5	2.5	3.6
			85/71	44.5	30.9	51.5	2.2	19.8					80	29.8	21.1	2.7	3.2
	9.0	4.2	75/63	38.9	29.3	45.7	2.2	17.5		60	31.0	23.7	2.3	4.0			
			80/67	41.7	30.2	48.6	2.2	18.7		70	30.4	22.6	2.5	3.6			
			85/71	44.6	30.9	51.6	2.2	20.0		80	29.9	21.3	2.7	3.2			
	9.5	5.3	75/63	39.0	29.3	45.8	2.2	17.7		60	31.2	23.9	2.3	4.0			
			80/67	41.8	30.2	48.7	2.2	18.9		70	30.5	22.8	2.5	3.6			
			85/71	44.8	31.0	51.7	2.2	20.2		80	30.0	21.4	2.7	3.2			
70	8.5	3.8	75/63	37.1	28.5	44.6	2.4	15.3	50	8.5	3.8	4.3	60	34.9	27.5	2.4	4.3
			80/67	39.8	29.5	47.3	2.4	16.3					70	34.3	26.1	2.6	3.9
			85/71	42.7	30.4	50.2	2.4	17.5					80	33.6	24.8	2.8	3.5
	9.0	4.2	75/63	37.2	28.6	44.7	2.4	15.4		60	35.1	27.7	2.4	4.4			
			80/67	40.0	29.5	47.4	2.4	16.5		70	34.5	26.3	2.6	3.9			
			85/71	42.8	30.4	50.3	2.4	17.7		80	33.8	25.0	2.8	3.6			
	9.5	5.2	75/63	37.4	28.6	44.7	2.4	15.6		60	35.3	27.9	2.4	4.4			
			80/67	40.1	29.6	47.5	2.4	16.7		70	34.7	26.4	2.6	4.0			
			85/71	43.0	30.5	50.4	2.4	17.8		80	34.0	25.1	2.8	3.6			
80	8.5	3.8	75/63	35.5	27.8	43.6	2.7	13.4	60	8.5	3.8	4.3	60	39.3	31.7	2.4	4.8
			80/67	38.1	28.8	46.3	2.7	14.3					70	38.5	30.2	2.6	4.3
			85/71	40.8	29.9	49.0	2.7	15.3					80	37.9	28.7	2.9	3.9
	9.0	4.1	75/63	35.6	27.9	43.6	2.6	13.5		60	39.5	31.9	2.4	4.8			
			80/67	38.3	28.8	46.4	2.6	14.5		70	38.6	30.4	2.6	4.3			
			85/71	40.9	30.0	49.1	2.6	15.5		80	38.1	28.9	2.9	3.9			
	9.5	5.1	75/63	35.7	28.1	43.7	2.6	13.6		60	39.8	32.1	2.4	4.8			
			80/67	38.4	28.9	46.4	2.6	14.6		70	39.0	30.6	2.6	4.3			
			85/71	41.1	30.0	49.2	2.6	15.6		80	38.4	29.1	2.9	3.9			
90	8.5	3.8	75/63	33.8	27.3	42.6	2.9	11.6	70	8.5	3.8	4.2	60	43.9	36.1	2.5	5.2
			80/67	36.4	28.1	45.3	2.9	12.5					70	43.1	34.6	2.7	4.7
			85/71	39.0	29.1	48.0	2.9	13.4					80	42.4	32.9	2.9	4.3
	9.0	4.1	75/63	33.9	27.3	42.7	2.9	11.7		60	44.2	36.4	2.5	5.2			
			80/67	36.5	28.2	45.3	2.9	12.6		70	43.4	34.9	2.7	4.7			
			85/71	39.1	29.1	48.1	2.9	13.5		80	42.7	33.2	2.9	4.3			
	9.5	5.0	75/63	34.0	27.4	42.7	2.9	11.8		60	44.5	36.7	2.5	5.2			
			80/67	36.6	28.2	45.4	2.9	12.7		70	43.6	35.1	2.7	4.7			
			85/71	39.3	29.2	48.1	2.9	13.7		80	42.9	33.4	2.9	4.3			
100	8.5	3.8	75/63	32.1	26.4	41.8	3.2	10.0	80	8.5	3.8	4.2	60	49.0	40.7	2.5	5.6
			80/67	34.5	27.6	44.3	3.2	10.8					70	47.9	39.2	2.8	5.1
			85/71	37.1	28.4	47.0	3.2	11.6					80	47.0	37.5	3.0	4.6
	9.0	3.9	75/63	32.2	26.6	41.8	3.2	10.1		60	49.3	41.1	2.6	5.7			
			80/67	34.6	27.7	44.4	3.2	10.9		70	48.2	39.5	2.8	5.1			
			85/71	37.2	28.6	47.0	3.2	11.7		80	47.3	37.8	3.0	4.6			
	9.5	4.9	75/63	32.3	26.7	41.9	3.2	10.2		60	49.7	41.4	2.6	5.7			
			80/67	34.8	27.7	44.4	3.2	11.0		70	48.5	39.8	2.8	5.1			
			85/71	37.3	28.7	47.1	3.2	11.8		80	47.5	38.2	3.0	4.6			
110	8.5	3.6	75/63	30.3	25.9	41.1	3.5	8.5	Extended Range - Anti-freeze required	8.5	3.6	3.9	60	55.0	47.0	2.8	6.5
			80/67	32.7	26.7	43.5	3.6	9.2					70	54.0	46.0	3.0	6.0
			85/71	35.2	27.7	46.1	3.6	9.9					80	53.0	45.0	3.2	5.5
	9.0	3.9	75/63	30.4	25.9	41.1	3.5	8.6		60	55.5	47.5	2.8	6.6			
			80/67	32.8	26.8	43.6	3.5	9.3		70	54.5	46.5	3.0	6.1			
			85/71	35.3	27.8	46.1	3.5	10.0		80	53.5	45.5	3.2	5.6			
	9.5	4.9	75/63	30.5	25.9	41.1	3.5	8.7		60	56.0	48.0	2.8	6.7			
			80/67	32.9	26.8	43.6	3.5	9.4		70	55.0	47.0	3.0	6.2			
			85/71	35.4	28.0	46.1	3.5	10.1		80	54.0	46.0	3.2	5.7			

Extended Range - Anti-freeze required

AHRI/ISO13256-1 certified performance is rated at entering air conditions of 80.6°F DB and 66.2°F WB in cooling and 68°F DB in heating.

Tabulated unit performance does not include fan or pump power corrections required for AHRI/ISO standard performance ratings.

Unit performance may be interpolated. Extrapolation is not allowed.

For conditions other than rating conditions provided, consult the BST selection software.

Ratings below 40°F are with a methanol solution.

DISCLAIMER: The performance reported herein is based on testing by FHP. Variations in the installation and operational environment may alter performance. Bosch disclaims all warranties, express and implied, that the performance will be as reported, including the warranty of merchantability and fitness for purpose. In addition, continuous research and development may result in a change to an appliances design and specifications at the time of order, which Bosch may change without notice. Before purchase, confirm the design specifications of the appliance.

Bosch Thermotechnology Corp.
Londonderry, NH • Watertown, MA • Ft. Lauderdale, FL

RL Model Series - Residential Water Source Heat Pumps



BOSCH

Capacity Data 042 (1400 CFM)																		
Cooling									Heating									
Entering Fluid Temp (°F)	Water flow (GPM)	Pressure Drop (FOH)	Entering Air Temp DB/WB (°F)	Total Capacity (MBTUH)	Sensible Capacity (MBTUH)	Heat of Rejection (MBTUH)	Power Input (kW)	EER	Entering Fluid Temp (°F)	Water flow (GPM)	Pressure Drop (FOH)	Entering Air Temp (°F)	Total Capacity (MBTUH)	Heat of Absorption (MBTUH)	Power Input (kW)	COP		
50	10.0	6.1	75/63	42.8	33.3	49.7	2.3	18.9	30	10.0	6.1	60	30.5	22.4	2.5	3.6		
			80/67	45.7	34.6	52.7	2.3	20.2				70	30.0	21.2	2.7	3.2		
			85/71	48.5	36.4	55.7	2.3	21.4				80	29.6	20.0	3.0	2.9		
	10.5	6.4	75/63	42.9	33.4	49.8	2.3	19.1		30	10.5	6.5	60	30.6	22.5	2.5	3.6	
			80/67	46.0	34.3	53.0	2.3	20.4					70	30.1	21.3	2.7	3.2	
			85/71	48.6	36.4	55.8	2.3	21.6					80	29.7	20.1	3.0	2.9	
	11.0	7.4	75/63	43.0	33.4	49.9	2.2	19.2			30	11.0	7.7	60	30.7	22.6	2.5	3.6
			80/67	46.1	34.4	53.0	2.2	20.6						70	30.2	21.4	2.7	3.2
			85/71	49.9	34.4	56.7	2.3	22.1						80	29.8	20.2	3.0	2.9
60	10.0	6.1	75/63	41.1	32.5	48.6	2.5	16.6	40			10.0	6.1	60	34.5	26.2	2.6	3.9
			80/67	44.1	33.6	51.7	2.5	17.8						70	34.0	24.9	2.8	3.5
			85/71	46.5	36.1	54.3	2.5	18.8						80	33.5	23.6	3.1	3.2
	10.5	6.2	75/63	41.2	32.5	48.6	2.5	16.7		40		10.5	6.5	60	34.7	26.3	2.6	3.9
			80/67	44.2	33.7	51.7	2.5	18.0						70	34.1	25.0	2.8	3.6
			85/71	46.6	36.1	54.4	2.5	19.0						80	33.7	23.7	3.1	3.2
	11.0	7.4	75/63	41.3	32.5	48.7	2.5	16.8			40	11.0	7.5	60	34.8	26.5	2.6	4.0
			80/67	44.3	33.7	51.8	2.5	18.1						70	34.3	25.2	2.8	3.6
			85/71	47.5	34.8	55.1	2.5	19.4						80	33.8	23.8	3.1	3.2
70	10.0	5.8	75/63	39.4	31.8	47.5	2.7	14.5	50			10.0	5.8	60	39.0	30.4	2.7	4.3
			80/67	42.3	32.9	50.5	2.7	15.6						70	38.4	29.0	2.9	3.9
			85/71	44.4	35.8	52.9	2.7	16.4						80	37.5	27.7	3.1	3.5
	10.5	6.2	75/63	39.4	32.2	47.5	2.7	14.6		50		10.5	6.4	60	39.1	30.6	2.7	4.3
			80/67	42.4	33.0	50.5	2.7	15.7						70	38.5	29.1	2.9	3.9
			85/71	44.5	35.8	53.0	2.7	16.6						80	37.7	27.9	3.1	3.5
	11.0	7.3	75/63	39.4	32.2	47.5	2.7	14.7			50	11.0	7.4	60	39.3	30.7	2.7	4.3
			80/67	42.5	33.0	50.6	2.7	15.8						70	38.6	29.3	2.9	3.9
			85/71	44.6	35.9	53.1	2.7	16.7						80	37.8	28.0	3.1	3.5
80	10.0	5.8	75/63	37.5	31.5	46.4	3.0	12.7	60			10.0	5.8	60	43.4	35.0	2.7	4.7
			80/67	39.9	33.3	49.0	3.0	13.5						70	42.8	33.5	3.0	4.2
			85/71	43.4	33.4	52.4	3.0	14.6						80	42.1	32.1	3.2	3.8
	10.5	6.0	75/63	38.0	30.8	46.7	3.0	12.8		60		10.5	6.4	60	43.7	35.2	2.7	4.7
			80/67	40.0	33.3	49.1	3.0	13.6						70	43.0	33.7	3.0	4.3
			85/71	40.5	34.5	50.3	2.9	13.8						80	42.3	32.3	3.2	3.9
	11.0	7.2	75/63	38.0	30.8	46.7	2.9	12.9			60	11.0	7.3	60	43.9	35.4	2.7	4.7
			80/67	40.1	33.3	49.1	2.9	13.7						70	43.2	33.9	3.0	4.3
			85/71	40.6	34.5	50.4	2.9	13.9						80	42.5	32.5	3.2	3.9
90	10.0	5.8	75/63	36.0	30.5	45.6	3.3	11.0	70			10.0	5.8	60	49.0	39.9	2.8	5.2
			80/67	36.5	32.6	46.8	3.2	11.2						70	47.8	38.3	3.0	4.6
			85/71	38.7	33.9	49.4	3.2	11.9						80	47.0	36.7	3.3	4.2
	10.5	6.0	75/63	36.1	30.5	45.7	3.2	11.1		70		10.5	6.2	60	49.3	40.2	2.8	5.2
			80/67	36.8	32.7	47.1	3.2	11.4						70	48.0	38.6	3.0	4.7
			85/71	38.8	33.9	49.4	3.2	12.0						80	47.3	37.0	3.3	4.2
	11.0	7.1	75/63	36.5	29.8	45.9	3.2	11.3			70	11.0	7.3	60	49.5	40.4	2.8	5.2
			80/67	36.9	32.8	47.1	3.2	11.5						70	48.3	38.8	3.0	4.7
			85/71	38.9	33.9	49.5	3.2	12.1						80	47.5	37.2	3.3	4.2
100	10.0	5.8	75/63	33.0	30.7	43.9	3.6	9.2	80			10.0	5.8	60	54.4	45.1	2.8	5.6
			80/67	38.3	26.3	48.3	3.6	10.5						70	53.4	43.3	3.1	5.1
			85/71	36.6	33.2	48.3	3.6	10.2						80	52.6	41.5	3.4	4.6
	10.5	5.9	75/63	33.0	30.7	43.9	3.6	9.3		80		10.5	6.2	60	54.7	45.4	2.9	5.6
			80/67	35.1	32.1	46.3	3.6	9.8						70	53.7	43.6	3.1	5.1
			85/71	37.0	33.3	48.6	3.6	10.4						80	52.9	41.8	3.4	4.6
	11.0	6.9	75/63	33.1	30.7	44.0	3.6	9.3			80	11.0	7.2	60	55.0	45.7	2.9	5.7
			80/67	35.2	32.1	46.3	3.6	9.9						70	54.0	43.9	3.1	5.1
			85/71	37.2	33.4	48.6	3.5	10.5						80	53.1	42.0	3.4	4.6
110	10.0	5.5	75/63	31.5	30.1	43.5	4.0	7.9	Extended Range - Anti-freeze required			10.0	5.5	60	58.0	48.0	2.8	6.0
			80/67	33.6	31.5	45.8	4.0	8.5						70	57.0	46.0	3.0	5.5
			85/71	39.2	25.8	50.3	4.0	9.7						80	56.0	44.0	3.2	5.0
	10.5	5.9	75/63	31.6	30.2	43.5	4.0	8.0		Extended Range - Anti-freeze required		10.5	5.9	60	58.5	48.5	2.8	6.0
			80/67	33.7	31.6	45.9	4.0	8.5						70	57.5	46.5	3.0	5.5
			85/71	35.5	32.8	48.1	4.0	9.0						80	56.5	44.5	3.2	5.0
	11.0	6.8	75/63	31.7	30.2	43.5	3.9	8.1			Extended Range - Anti-freeze required	11.0	6.8	60	59.0	49.0	2.8	6.0
			80/67	33.7	31.6	45.9	3.9	8.6						70	58.0	47.0	3.0	5.5
			85/71	35.6	32.8	48.1	3.9	9.1						80	57.0	45.0	3.2	5.0

Extended Range - Anti-freeze required

AHR/ISO13256-1 certified performance is rated at entering air conditions of 80.6°F DB and 66.2°F WB in cooling and 68°F DB in heating.

Tabulated unit performance does not include fan or pump power corrections required for AHR/ISO standard performance ratings.

Unit performance may be interpolated. Extrapolation is not allowed.

For conditions other than rating conditions provided, consult the BST selection software.

Ratings below 40°F are with a methanol solution.

DISCLAIMER: The performance reported herein is based on testing by FHP. Variations in the installation and operational environment may alter performance. Bosch disclaims all warranties, express and implied, that the performance will be as reported, including the warranty of merchantability and fitness for purpose. In addition, continuous research and development may result in a change to an appliances design and specifications at the time of order, which Bosch may change without notice. Before purchase, confirm the design specifications of the appliance.

Bosch Thermotechnology Corp.
Londonderry, NH • Watertown, MA • Ft. Lauderdale, FL

RL Model Series - Residential Water Source Heat Pumps



Capacity Data 048 (1600 CFM)																	
Cooling									Heating								
Entering Fluid Temp (°F)	Water flow (GPM)	Pressure Drop (FOH)	Entering Air Temp DB/WB (°F)	Total Capacity (MBTUH)	Sensible Capacity (MBTUH)	Heat of Rejection (MBTUH)	Power Input (kW)	EER	Entering Fluid Temp (°F)	Water flow (GPM)	Pressure Drop (FOH)	Entering Air Temp (°F)	Total Capacity (MBTUH)	Heat of Absorption (MBTUH)	Power Input (kW)	COP	
50	11.5	4.5	75/63	49.3	38.4	57.3	2.6	19.4	30	11.5	4.5	60	34.8	25.3	2.9	3.5	
			80/67	52.8	39.7	60.8	2.5	20.7				70	34.2	24.0	3.1	3.2	
			85/71	56.5	40.8	64.6	2.5	22.2				80	33.8	22.6	3.4	2.9	
	12.0	4.6	75/63	49.4	38.4	57.3	2.5	19.5		60	34.9	25.4	2.9	3.6			
			80/67	52.9	39.7	60.9	2.5	20.9		70	34.3	24.1	3.1	3.2			
			85/71	56.7	40.8	64.7	2.5	22.4		80	33.9	22.7	3.4	2.9			
	12.5	6.0	75/63	49.5	38.5	57.4	2.5	19.6		60	35.0	25.5	2.9	3.6			
			80/67	53.0	39.7	61.0	2.5	21.0		70	34.4	24.1	3.1	3.2			
			85/71	56.8	40.8	64.7	2.5	22.5		80	34.0	22.8	3.4	2.9			
60	11.5	4.5	75/63	51.7	40.7	57.3	1.9	27.6	40	11.5	4.5	60	32.5	25.3	2.2	4.3	
			80/67	55.1	42.0	60.8	1.9	29.5				70	31.9	24.0	2.5	3.8	
			85/71	58.8	43.1	64.6	1.9	31.5				80	31.5	22.6	2.7	3.4	
	12.0	4.5	75/63	51.7	40.7	57.3	1.9	27.7		60	32.6	25.4	2.2	4.3			
			80/67	55.2	42.0	60.9	1.9	29.7		70	32.0	24.1	2.5	3.8			
			85/71	59.0	43.1	64.7	1.9	31.7		80	31.6	22.7	2.8	3.4			
	12.5	6.0	75/63	51.8	40.8	57.4	1.9	27.9		60	32.7	25.5	2.2	4.3			
			80/67	55.3	42.1	61.0	1.9	29.9		70	32.1	24.1	2.5	3.8			
			85/71	59.1	43.1	64.7	1.8	32.0		80	31.7	22.8	2.8	3.4			
70	11.5	4.3	75/63	47.4	37.7	55.9	2.8	17.2	50	11.5	4.3	60	39.4	29.6	3.0	3.9	
			80/67	50.8	39.0	59.4	2.8	18.5				70	38.4	28.3	3.2	3.5	
			85/71	54.5	40.1	63.1	2.8	19.8				80	38.0	26.9	3.5	3.2	
	12.0	4.5	75/63	47.5	37.7	56.0	2.7	17.3		60	39.5	29.7	3.0	3.9			
			80/67	50.9	39.0	59.4	2.7	18.6		70	38.5	28.5	3.2	3.5			
			85/71	54.6	40.2	63.1	2.7	19.9		80	38.2	27.0	3.5	3.2			
	12.5	5.9	75/63	47.6	37.8	56.0	2.7	17.4		60	39.6	29.8	3.0	3.9			
			80/67	51.2	38.9	59.7	2.7	18.7		70	38.6	28.6	3.2	3.5			
			85/71	54.7	40.2	63.2	2.7	20.1		80	38.1	27.1	3.5	3.2			
80	11.5	4.3	75/63	49.7	40.0	55.9	2.1	24.0	60	11.5	4.3	60	37.1	29.6	2.3	4.8	
			80/67	53.1	41.3	59.4	2.1	25.6				70	36.1	28.3	2.5	4.2	
			85/71	56.8	42.4	63.1	2.1	27.4				80	35.7	26.9	2.9	3.7	
	12.0	4.4	75/63	49.8	40.1	56.0	2.1	24.1		60	37.2	29.7	2.3	4.8			
			80/67	53.2	41.3	59.4	2.1	25.7		70	36.2	28.5	2.5	4.2			
			85/71	56.9	42.5	63.1	2.1	27.6		80	35.9	27.0	2.9	3.7			
	12.5	5.8	75/63	49.9	40.1	56.0	2.1	24.3		60	37.3	29.8	2.3	4.8			
			80/67	53.5	41.2	59.7	2.1	26.0		70	36.3	28.6	2.6	4.2			
			85/71	57.0	42.5	63.2	2.1	27.8		80	35.8	27.1	2.9	3.7			
90	11.5	4.3	75/63	45.6	36.7	54.7	3.0	15.2	70	11.5	4.3	60	44.0	34.5	3.0	4.2	
			80/67	48.8	38.2	58.1	3.0	16.3				70	43.5	33.0	3.3	3.9	
			85/71	52.3	39.3	61.6	3.0	17.4				80	42.8	31.5	3.6	3.5	
	12.0	4.4	75/63	45.6	36.8	54.8	3.0	15.3		60	44.2	34.7	3.1	4.3			
			80/67	48.9	38.2	58.1	3.0	16.4		70	43.7	33.2	3.3	3.9			
			85/71	52.4	39.5	61.7	3.0	17.6		80	42.9	31.6	3.6	3.5			
	12.5	5.7	75/63	45.7	36.9	54.8	3.0	15.4		60	44.4	34.9	3.1	4.3			
			80/67	49.2	38.1	58.3	3.0	16.5		70	43.8	33.3	3.3	3.9			
			85/71	52.7	39.0	61.9	3.0	17.7		80	43.1	31.8	3.6	3.5			
100	11.5	4.3	75/63	47.9	39.0	54.7	2.3	20.6	80	11.5	4.3	60	41.7	34.5	2.4	5.2	
			80/67	51.1	40.5	58.1	2.3	22.0				70	41.2	33.0	2.6	4.6	
			85/71	54.6	41.6	61.6	2.3	23.5				80	40.5	31.5	2.9	4.0	
	12.0	4.3	75/63	47.9	39.1	54.8	2.3	20.7		60	41.9	34.7	2.4	5.2			
			80/67	51.2	40.5	58.1	2.3	22.2		70	41.4	33.2	2.6	4.6			
			85/71	54.7	41.8	61.7	2.3	23.7		80	40.6	31.6	2.9	4.1			
	12.5	5.6	75/63	48.0	39.2	54.8	2.3	20.9		60	42.1	34.9	2.4	5.2			
			80/67	51.5	40.4	58.3	2.3	22.4		70	41.5	33.3	2.6	4.6			
			85/71	55.1	41.3	61.9	2.3	23.9		80	40.8	31.8	2.9	4.1			
110	11.5	4.0	75/63	44.1	34.8	53.9	3.3	13.3	Extended Range - Anti-freeze required	11.5	4.0	60	41.7	34.5	2.4	5.2	
			80/67	46.7	37.6	56.8	3.3	14.2				70	41.2	33.0	2.6	4.6	
			85/71	50.6	37.4	60.6	3.3	15.3				80	40.5	31.5	2.9	4.0	
	12.0	4.3	75/63	43.4	36.3	53.5	3.3	13.3		60	41.9	34.7	2.4	5.2			
			80/67	46.8	37.7	56.8	3.3	14.3		70	41.4	33.2	2.6	4.6			
			85/71	50.8	37.4	60.7	3.3	15.4		80	40.6	31.6	2.9	4.1			
	12.5	5.5	75/63	43.5	36.3	53.5	3.3	13.3		60	42.1	34.9	2.4	5.2			
			80/67	47.4	36.4	57.3	3.3	14.5		70	41.5	33.3	2.6	4.6			
			85/71	50.3	39.0	60.3	3.3	15.5		80	40.8	31.8	2.9	4.1			

Extended Range - Anti-freeze required

AHR/ISO13256-1 certified performance is rated at entering air conditions of 80.6°F DB and 66.2°F WB in cooling and 68°F DB in heating.

Tabulated unit performance does not include fan or pump power corrections required for AHR/ISO standard performance ratings.

Unit performance may be interpolated. Extrapolation is not allowed.

For conditions other than rating conditions provided, consult the BST selection software.

Ratings below 40°F are with a methanol solution.

DISCLAIMER: The performance reported herein is based on testing by FHP. Variations in the installation and operational environment may alter performance. Bosch disclaims all warranties, express and implied, that the performance will be as reported, including the warranty of merchantability and fitness for purpose. In addition, continuous research and development may result in a change to an appliances design and specifications at the time of order, which Bosch may change without notice. Before purchase, confirm the design specifications of the appliance.

RL Model Series - Residential Water Source Heat Pumps



BOSCH

Capacity Data 060 (1900 CFM)																
Cooling									Heating							
Entering Fluid Temp (°F)	Water flow (GPM)	Pressure Drop (FOH)	Entering Air Temp DB/WB (°F)	Total Capacity (MBTUH)	Sensible Capacity (MBTUH)	Heat of Rejection (MBTUH)	Power Input (kW)	EER	Entering Fluid Temp (°F)	Water flow (GPM)	Pressure Drop (FOH)	Entering Air Temp (°F)	Total Capacity (MBTUH)	Heat of Absorption (MBTUH)	Power Input (kW)	COP
50	14.5	4.2	75/63	63.4	47.7	73.8	3.3	19.1	30	14.5	4.1	60	45.8	33.5	3.9	3.4
			80/67	67.9	49.2	78.4	3.3	20.3				70	45.3	31.8	4.3	3.1
			85/71	72.3	50.6	82.9	3.3	21.6				80	44.8	30.1	4.7	2.8
	15.0	4.2	75/63	63.5	47.7	73.9	3.3	19.2		15.0	4.3	60	45.9	33.6	3.9	3.4
			80/67	68.0	49.0	78.4	3.3	20.4				70	45.4	31.9	4.3	3.1
			85/71	72.4	50.6	83.0	3.3	21.7				80	45.0	30.2	4.7	2.8
	15.5	5.3	75/63	63.5	47.8	73.9	3.3	19.2		15.5	5.4	60	46.1	33.7	3.9	3.4
			80/67	68.1	49.0	78.5	3.3	20.5				70	45.4	32.0	4.3	3.1
			85/71	72.5	49.6	83.1	3.4	21.5				80	45.0	30.3	4.7	2.8
60	14.5	4.2	75/63	61.2	46.6	72.5	3.6	16.9	40	14.5	4.1	60	51.9	39.1	4.1	3.8
			80/67	65.3	48.3	76.7	3.6	18.0				70	51.2	37.3	4.4	3.4
			85/71	69.8	49.6	81.3	3.6	19.2				80	50.8	35.6	4.9	3.1
	15.0	4.1	75/63	61.3	46.7	72.5	3.6	17.0		15.0	4.3	60	52.1	39.2	4.1	3.8
			80/67	65.4	48.3	76.8	3.6	18.1				70	51.6	37.5	4.4	3.4
			85/71	69.8	49.8	81.3	3.6	19.3				80	51.0	35.7	4.9	3.1
	15.5	5.3	75/63	61.4	46.7	72.6	3.6	17.1		15.5	5.3	60	52.3	39.4	4.1	3.8
			80/67	65.6	48.1	76.9	3.6	18.2				70	51.7	37.6	4.4	3.4
			85/71	69.9	49.8	81.4	3.6	19.4				80	51.1	35.8	4.9	3.1
70	14.5	3.9	75/63	58.7	45.9	71.0	4.0	14.9	50	14.5	3.9	60	58.8	45.4	4.2	4.1
			80/67	63.1	46.7	75.5	4.0	15.8				70	58.1	43.5	4.6	3.7
			85/71	67.3	48.2	79.8	4.0	16.8				80	57.5	41.6	5.0	3.3
	15.0	4.1	75/63	58.8	45.9	71.1	3.9	14.9		15.0	4.2	60	59.0	45.6	4.2	4.1
			80/67	63.2	46.7	75.5	4.0	15.9				70	58.3	43.7	4.6	3.7
			85/71	67.4	48.2	79.9	4.0	16.9				80	57.8	41.7	5.0	3.4
	15.5	5.2	75/63	59.2	45.6	71.3	3.9	15.0		15.5	5.3	60	59.2	45.8	4.2	4.1
			80/67	63.2	46.7	75.6	4.0	15.9				70	58.5	43.9	4.6	3.7
			85/71	67.5	48.3	80.0	4.0	17.0				80	58.0	41.9	5.0	3.4
80	14.5	3.9	75/63	56.4	44.9	69.9	4.4	12.9	60	14.5	3.9	60	66.2	52.3	4.4	4.5
			80/67	60.3	46.4	74.0	4.4	13.8				70	65.4	50.2	4.8	4.0
			85/71	64.7	47.7	78.4	4.4	14.7				80	64.8	48.1	5.2	3.6
	15.0	4.0	75/63	56.6	44.6	70.0	4.4	13.0		15.0	4.2	60	66.4	52.6	4.4	4.5
			80/67	60.7	45.8	74.3	4.4	13.8				70	65.7	50.4	4.8	4.0
			85/71	64.8	47.8	78.5	4.4	14.8				80	65.0	48.3	5.2	3.7
	15.5	5.1	75/63	56.6	44.6	70.0	4.3	13.0		15.5	5.2	60	66.7	52.8	4.4	4.5
			80/67	60.8	45.9	74.3	4.4	13.9				70	65.9	50.6	4.8	4.1
			85/71	64.9	47.8	78.5	4.4	14.9				80	65.3	48.5	5.2	3.7
90	14.5	3.9	75/63	54.1	43.4	69.0	4.8	11.2	70	14.5	3.9	60	73.9	59.7	4.5	4.8
			80/67	57.8	45.4	72.9	4.9	11.9				70	73.2	57.4	4.9	4.3
			85/71	61.8	46.9	77.1	4.9	12.7				80	72.4	55.0	5.4	3.9
	15.0	4.0	75/63	54.2	43.5	69.0	4.8	11.2		15.0	4.1	60	74.4	60.0	4.5	4.8
			80/67	57.9	45.4	73.0	4.8	12.0				70	73.5	57.6	5.0	4.4
			85/71	62.0	46.7	77.1	4.9	12.8				80	72.7	55.3	5.4	3.9
	15.5	5.0	75/63	54.2	43.5	69.0	4.8	11.3		15.5	5.2	60	74.7	60.2	4.5	4.8
			80/67	58.0	45.4	73.0	4.8	12.0				70	73.7	57.9	5.0	4.4
			85/71	62.1	46.7	77.2	4.8	12.8				80	73.0	55.5	5.4	3.9
100	14.5	3.9	75/63	51.4	42.5	68.0	5.4	9.5	80	14.5	3.9	60	82.2	67.5	4.7	5.1
			80/67	55.0	44.2	71.9	5.4	10.2				70	81.3	64.9	5.1	4.6
			85/71	59.1	45.6	76.0	5.4	10.9				80	80.8	62.7	5.6	4.2
	15.0	3.9	75/63	51.5	42.6	68.0	5.4	9.6		15.0	4.1	60	82.5	67.8	4.7	5.1
			80/67	55.1	44.2	71.9	5.4	10.2				70	81.7	65.2	5.1	4.7
			85/71	59.2	45.7	76.1	5.4	10.9				80	81.1	63.0	5.7	4.2
	15.5	4.9	75/63	51.5	42.6	68.0	5.4	9.6		15.5	5.1	60	83.1	68.1	4.7	5.2
			80/67	55.2	44.2	71.9	5.4	10.3				70	82.0	65.5	5.2	4.7
			85/71	59.3	45.7	76.1	5.4	11.0				80	81.4	63.3	5.7	4.2
110	14.5	3.7	75/63	48.6	41.7	67.2	6.0	8.1	Extended Range - Anti-freeze required	14.5	3.7	60	91.4	75.4	4.4	5.0
			80/67	52.2	43.6	70.9	6.0	8.7				70	90.5	73.1	4.7	4.6
			85/71	56.0	44.6	75.0	6.1	9.2				80	89.6	70.8	5.0	4.3
	15.0	3.9	75/63	48.6	41.7	67.2	6.0	8.1		15.0	3.9	60	91.4	75.4	4.4	5.0
			80/67	52.3	43.6	70.9	6.0	8.7				70	90.5	73.1	4.7	4.6
			85/71	56.1	44.6	75.0	6.1	9.3				80	89.6	70.8	5.0	4.3
	15.5	4.8	75/63	48.7	41.7	67.2	6.0	8.1		15.5	4.8	60	91.4	75.4	4.4	5.0
			80/67	52.4	43.7	71.0	6.0	8.7				70	90.5	73.1	4.7	4.6
			85/71	56.2	44.7	75.0	6.0	9.3				80	89.6	70.8	5.0	4.3

Extended Range - Anti-freeze required

AHRI/ISO13256-1 certified performance is rated at entering air conditions of 80.6°F DB and 66.2°F WB in cooling and 68°F DB in heating.

Tabulated unit performance does not include fan or pump power corrections required for AHRI/ISO standard performance ratings.

Unit performance may be interpolated. Extrapolation is not allowed.

For conditions other than rating conditions provided, consult the BST selection software.

Ratings below 40°F are with a methanol solution.

DISCLAIMER: The performance reported herein is based on testing by FHP. Variations in the installation and operational environment may alter performance. Bosch disclaims all warranties, express and implied, that the performance will be as reported, including the warranty of merchantability and fitness for purpose. In addition, continuous research and development may result in a change to an appliances design and specifications at the time of order, which Bosch may change without notice. Before purchase, confirm the design specifications of the appliance.

Bosch Thermotechnology Corp.
Londonderry, NH • Watertown, MA • Ft. Lauderdale, FL

RL Model Series - Residential Water Source Heat Pumps



BOSCH

Capacity Data 070 (2000 CFM)																
Cooling									Heating							
Entering Fluid Temp (°F)	Water flow (GPM)	Pressure Drop (FOH)	Entering Air Temp DB/WB (°F)	Total Capacity (MBTUH)	Sensible Capacity (MBTUH)	Heat of Rejection (MBTUH)	Power Input (kW)	EER	Entering Fluid Temp (°F)	Water flow (GPM)	Pressure Drop (FOH)	Entering Air Temp (°F)	Total Capacity (MBTUH)	Heat of Absorption (MBTUH)	Power Input (kW)	COP
50	16.5	5.5	75/63	67.1	49.8	79.1	3.8	17.7	30	16.5	5.4	60	47.6	34.4	4.2	3.3
			80/67	72.2	50.3	84.4	3.9	18.6				70	46.9	32.0	4.6	3.0
			85/71	76.9	53.2	89.3	3.8	20.0				80	46.2	30.5	5.0	2.7
	17.0	5.5	75/63	67.1	49.9	79.1	3.8	17.8		60	47.8	34.1	4.2	3.3		
			80/67	72.2	50.3	84.5	3.9	18.7		70	47.0	32.1	4.6	3.0		
			85/71	77.0	52.8	89.5	3.9	20.0		80	46.3	30.6	5.0	2.7		
	17.5	6.1	75/63	67.2	49.9	79.2	3.8	17.9		60	47.9	34.2	4.2	3.3		
			80/67	72.3	50.3	84.5	3.9	18.8		70	47.0	32.5	4.6	3.0		
			85/71	77.1	52.8	89.5	3.8	20.1		80	46.5	30.3	5.0	2.7		
60	16.5	5.5	75/63	64.5	48.9	77.5	4.1	15.7	40	16.5	5.4	60	53.7	40.0	4.4	3.6
			80/67	69.3	50.2	82.5	4.2	16.7				70	52.7	37.9	4.7	3.3
			85/71	74.3	51.6	87.7	4.2	17.7				80	52.0	35.9	5.1	3.0
	17.0	5.4	75/63	64.7	48.2	77.8	4.1	15.7		60	53.9	39.8	4.4	3.6		
			80/67	69.4	50.3	82.5	4.1	16.7		70	52.8	38.0	4.7	3.3		
			85/71	74.3	51.8	87.7	4.2	17.8		80	52.3	35.6	5.1	3.0		
	17.5	6.1	75/63	64.8	48.2	77.8	4.1	15.7		60	54.1	39.9	4.4	3.6		
			80/67	69.4	50.4	82.6	4.1	16.8		70	53.1	37.7	4.7	3.3		
			85/71	74.4	51.7	87.8	4.2	17.8		80	52.4	35.6	5.1	3.0		
70	16.5	5.2	75/63	61.7	47.6	75.8	4.5	13.8	50	16.5	5.2	60	60.6	45.9	4.5	3.9
			80/67	66.6	49.0	80.9	4.5	14.7				70	59.5	43.5	4.9	3.6
			85/71	71.4	50.5	85.9	4.6	15.7				80	58.7	41.3	5.3	3.2
	17.0	5.4	75/63	61.7	48.0	75.8	4.5	13.8		60	60.7	46.0	4.5	4.0		
			80/67	66.7	49.0	80.9	4.5	14.8		70	59.5	44.0	4.9	3.6		
			85/71	71.5	50.6	86.0	4.5	15.7		80	58.7	41.6	5.3	3.2		
	17.5	6.0	75/63	61.7	48.0	75.9	4.4	13.9		60	60.9	46.1	4.5	4.0		
			80/67	66.7	49.3	80.9	4.5	14.9		70	59.6	44.2	4.9	3.6		
			85/71	71.6	50.8	86.0	4.5	15.8		80	58.7	42.0	5.3	3.2		
80	16.5	5.2	75/63	59.1	46.3	74.4	4.9	12.1	60	16.5	5.2	60	68.1	52.4	4.7	4.3
			80/67	63.3	48.6	79.0	4.9	12.9				70	66.7	50.1	5.1	3.9
			85/71	68.5	49.4	84.2	5.0	13.8				80	65.5	48.2	5.5	3.5
	17.0	5.2	75/63	59.4	46.1	74.7	4.9	12.2		60	67.9	53.2	4.7	4.3		
			80/67	63.4	48.7	79.0	4.9	13.0		70	66.9	50.3	5.1	3.9		
			85/71	68.6	49.4	84.3	5.0	13.9		80	65.7	48.5	5.5	3.5		
	17.5	5.9	75/63	59.2	46.6	74.4	4.8	12.2		60	68.2	52.8	4.7	4.3		
			80/67	63.5	48.7	79.1	4.9	13.0		70	67.1	50.4	5.1	3.9		
			85/71	68.6	49.7	84.2	4.9	13.9		80	65.8	48.6	5.5	3.5		
90	16.5	5.2	75/63	56.3	45.4	73.0	5.3	10.6	70	16.5	5.2	60	75.4	60.4	4.9	4.6
			80/67	60.6	47.3	77.4	5.4	11.3				70	74.2	57.9	5.2	4.2
			85/71	65.1	48.6	82.2	5.4	12.0				80	73.0	55.3	5.7	3.8
	17.0	5.2	75/63	56.4	45.4	73.0	5.3	10.6		60	75.9	60.1	4.9	4.6		
			80/67	60.7	47.4	77.4	5.3	11.3		70	74.7	57.5	5.2	4.2		
			85/71	64.6	49.9	82.0	5.4	12.0		80	73.5	54.9	5.7	3.8		
	17.5	5.8	75/63	56.5	45.4	73.1	5.3	10.6		60	76.2	60.2	4.9	4.6		
			80/67	60.7	47.4	77.5	5.3	11.4		70	74.9	57.7	5.2	4.2		
			85/71	64.7	50.0	82.0	5.4	12.0		80	73.7	55.0	5.7	3.8		
100	16.5	5.2	75/63	53.6	44.0	71.9	5.9	9.1	80	16.5	5.2	60	83.8	68.2	5.0	4.9
			80/67	57.7	45.8	76.2	5.9	9.8				70	82.4	65.3	5.4	4.4
			85/71	63.4	44.0	81.6	6.0	10.6				80	81.0	62.5	5.9	4.0
	17.0	5.1	75/63	53.7	43.8	72.0	5.9	9.2		60	84.1	68.5	5.1	4.9		
			80/67	57.8	45.8	76.2	5.9	9.8		70	82.7	65.6	5.5	4.4		
			85/71	63.5	44.0	81.6	6.0	10.6		80	81.6	62.1	5.9	4.1		
	17.5	5.7	75/63	53.7	44.1	72.0	5.8	9.2		60	84.3	68.8	5.1	4.9		
			80/67	57.9	45.8	76.2	5.9	9.9		70	82.9	65.8	5.5	4.5		
			85/71	63.9	43.0	81.8	6.0	10.7		80	81.8	62.3	5.9	4.1		
110	16.5	4.8	75/63	50.7	42.7	71.0	6.5	7.8	Extended Range - Anti-freeze required	16.5	5.2	60	83.8	68.2	5.0	4.9
			80/67	55.0	43.6	75.3	6.5	8.4				70	82.4	65.3	5.4	4.4
			85/71	56.8	48.9	78.3	6.5	8.7				80	81.0	62.5	5.9	4.0
	17.0	5.1	75/63	50.7	42.8	71.0	6.5	7.8		60	84.1	68.5	5.1	4.9		
			80/67	54.7	44.5	75.2	6.5	8.4		70	82.7	65.6	5.5	4.4		
			85/71	56.9	49.0	78.3	6.5	8.7		80	81.6	62.1	5.9	4.1		
	17.5	5.6	75/63	50.8	42.8	71.0	6.5	7.8		60	84.3	68.8	5.1	4.9		
			80/67	54.8	44.5	75.2	6.5	8.4		70	82.9	65.8	5.5	4.5		
			85/71	57.0	49.0	78.4	6.5	8.8		80	81.8	62.3	5.9	4.1		

Extended Range - Anti-freeze required

AHRI/ISO13256-1 certified performance is rated at entering air conditions of 80.6°F DB and 66.2°F WB in cooling and 68°F DB in heating.

Tabulated unit performance does not include fan or pump power corrections required for AHRI/ISO standard performance ratings.

Unit performance may be interpolated. Extrapolation is not allowed.

For conditions other than rating conditions provided, consult the BST selection software.

Ratings below 40°F are with a methanol solution.

DISCLAIMER: The performance reported herein is based on testing by FHP. Variations in the installation and operational environment may alter performance. Bosch disclaims all warranties, express and implied, that the performance will be as reported, including the warranty of merchantability and fitness for purpose. In addition, continuous research and development may result in a change to an appliances design and specifications at the time of order, which Bosch may change without notice. Before purchase, confirm the design specifications of the appliance.

Bosch Thermotechnology Corp.
Londonderry, NH • Watertown, MA • Ft. Lauderdale, FL

RL Model Series - Residential Water Source Heat Pumps



BOSCH

007 - Temperature Pressure Operating Data									
Enter Fluid Temp (°F)	Water Flow (GPM)	Cooling				Heating			
		Suction Pressure (PSIG)	Discharge Pressure (PSIG)	Water Temp Rise (°F)	Air Temp Drop (°F)	Suction Pressure (PSIG)	Discharge Pressure (PSIG)	Water Temp Drop (°F)	Air Temp Rise (°F)
30	1.4	Operation Not Recommended				62-72	261-271	5-6	15-19
	2.0					64-74	263-273	4-5	15-19
40	1.4	107-130	155-187	12-18	18-22	76-86	273-283	6-7	17-21
	2.0	107-129	148-177	8-13	18-22	79-89	276-286	4-5	18-22
50	1.4	108-134	178-218	12-16	17-21	92-102	287-297	8-9	20-24
	2.0	108-132	171-208	8-11	17-22	96-106	290-300	5-6	21-25
60	1.4	109-137	205-253	11-16	17-21	109-119	302-312	9-10	23-27
	2.0	109-135	198-241	8-11	17-21	114-124	306-316	6-7	24-28
70	1.4	111-140	235-290	11-14	17-20	127-137	317-327	10-11	26-30
	2.0	110-139	228-278	8-11	18-21	134-144	323-333	7-8	27-31
80	1.4	111-143	268-330	10-16	17-21	147-157	335-345	12-13	30-34
	2.0	111-142	262-319	7-10	17-21	155-165	342-352	8-9	31-35
90	1.4	112-146	305-375	10-14	17-20	169-179	354-364	13-14	33-37
	2.0	112-145	300-364	7-10	17-20	Operation Not Recommended			
100	1.4	114-150	346-423	9-14	16-20				
	2.0	114-149	343-413	7-10	16-20				

009 - Temperature Pressure Operating Data									
Enter Fluid Temp (°F)	Water Flow (GPM)	Cooling				Heating			
		Suction Pressure (PSIG)	Discharge Pressure (PSIG)	Water Temp Rise (°F)	Air Temp Drop (°F)	Suction Pressure (PSIG)	Discharge Pressure (PSIG)	Water Temp Drop (°F)	Air Temp Rise (°F)
30	1.8	Operation Not Recommended				61-81	229-285	5-6	18-22
	2.4					62-83	230-287	4-5	19-23
40	1.8	107-132	159-191	11-16	20-25	74-97	240-300	6-7	21-26
	2.4	107-131	153-183	9-12	20-25	75-100	242-302	4-5	21-26
50	1.8	109-135	183-223	11-16	20-25	89-116	254-317	7-9	24-30
	2.4	109-133	178-215	8-12	20-25	91-120	256-320	5-6	24-30
60	1.8	111-138	210-257	11-15	19-24	105-136	268-334	8-10	27-34
	2.4	111-136	205-250	8-11	20-25	108-141	271-339	6-7	27-34
70	1.8	111-139	241-295	11-14	19-24	123-157	284-354	9-12	30-38
	2.4	112-139	236-288	8-11	19-24	127-164	287-359	7-8	31-39
80	1.8	113-142	276-338	10-14	19-23	143-181	300-374	10-12	34-42
	2.4	114-141	271-330	7-10	19-24	148-188	306-381	8-9	34-43
90	1.8	116-146	315-384	9-14	18-23	Operation Not Recommended			
	2.4	116-145	310-376	8-9	18-23				
100	1.8	117-148	357-434	9-12	18-22				
	2.4	118-147	354-427	7-10	18-22				

RL Model Series - Residential Water Source Heat Pumps



BOSCH

012 - Temperature Pressure Operating Data									
Enter Fluid Temp (°F)	Water Flow (GPM)	Cooling				Heating			
		Suction Pressure (PSIG)	Discharge Pressure (PSIG)	Water Temp Rise (°F)	Air Temp Drop (°F)	Suction Pressure (PSIG)	Discharge Pressure (PSIG)	Water Temp Drop (°F)	Air Temp Rise (°F)
30	2.0	Operation Not Recommended				57-73	229-288	6-7	19-22
	3.0	Operation Not Recommended				59-76	232-293	4-5	19-22
40	2.0	103-129	164-206	14-19	20-24	68-87	241-303	7-8	21-25
	3.0	103-128	152-191	10-12	20-25	72-92	244-308	5-6	22-26
50	2.0	104-132	188-237	14-18	20-23	74-110	254-319	8-9	24-28
	3.0	104-131	176-222	10-11	20-24	78-116	259-325	6-7	25-29
60	2.0	106-135	215-271	13-18	20-24	97-121	269-337	9-11	27-32
	3.0	105-133	203-256	10-11	20-24	102-128	275-344	7-8	28-34
70	2.0	107-137	245-308	13-17	20-23	113-141	286-357	11-13	30-36
	3.0	107-135	233-293	9-12	19-23	121-149	293-366	7-9	31-37
80	2.0	109-140	278-349	12-17	19-23	132-162	305-379	12-14	34-40
	3.0	109-139	267-334	8-11	19-23	141-172	313-389	8-10	35-42
90	2.0	111-143	314-394	12-16	19-22	Operation Not Recommended			
	3.0	111-142	303-379	8-11	18-22				
100	2.0	113-146	353-443	11-14	18-22	Operation Not Recommended			
	3.0	113-144	344-428	7-10	18-22				

015 - Temperature Pressure Operating Data									
Enter Fluid Temp (°F)	Water Flow (GPM)	Cooling				Heating			
		Suction Pressure (PSIG)	Discharge Pressure (PSIG)	Water Temp Rise (°F)	Air Temp Drop (°F)	Suction Pressure (PSIG)	Discharge Pressure (PSIG)	Water Temp Drop (°F)	Air Temp Rise (°F)
30	2.5	Operation Not Recommended				57-73	235-290	6-7	19-21
	3.8	Operation Not Recommended				59-76	238-293	4-5	20-23
40	2.5	108-135	178-219	14-20	22-26	69-88	248-305	7-8	22-25
	3.8	108-134	166-204	10-13	22-26	72-92	251-310	5-5	23-26
50	2.5	109-138	204-251	14-20	22-26	75-112	262-322	9-10	25-28
	3.8	108-136	192-236	9-12	21-26	80-118	266-327	6-7	26-30
60	2.5	110-140	233-287	14-18	21-25	98-123	278-340	10-11	28-32
	3.8	110-139	221-272	9-12	22-26	104-130	283-347	7-8	29-33
70	2.5	111-142	265-326	13-18	21-25	115-143	294-360	11-12	32-36
	3.8	111-141	253-311	9-12	21-25	122-151	302-369	8-9	33-38
80	2.5	112-145	301-369	13-17	21-24	134-164	314-382	13-14	35-40
	3.8	112-143	290-355	8-11	21-25	143-175	323-393	9-10	36-42
90	2.5	114-147	339-416	12-17	20-24	155-188	335-406	14-16	39-44
	3.8	114-146	330-403	9-10	20-24	Operation Not Recommended			
100	2.5	116-150	381-469	11-16	20-23				
	3.8	116-149	374-456	8-10	20-24				

Bosch Thermotechnology Corp.
Londonderry, NH • Watertown, MA • Ft. Lauderdale, FL

RL Model Series - Residential Water Source Heat Pumps



BOSCH

018 - Temperature Pressure Operating Data

Enter Fluid Temp (°F)	Water Flow (GPM)	Cooling				Heating			
		Suction Pressure (PSIG)	Discharge Pressure (PSIG)	Water Temp Rise (°F)	Air Temp Drop (°F)	Suction Pressure (PSIG)	Discharge Pressure (PSIG)	Water Temp Drop (°F)	Air Temp Rise (°F)
30	3.0	Operation Not Recommended				59-69	266-286	7-8	20-24
	5.0					64-74	272-292	4-5	21-25
40	3.0	100-118	176-196	15-18	21-25	71-81	281-301	8-9	23-27
	5.0	99-117	160-180	9-12	21-25	77-87	288-308	5-6	24-28
50	3.0	102-120	203-223	14-17	20-24	85-95	297-317	9-10	26-30
	5.0	101-119	187-207	8-11	20-24	93-103	306-326	6-7	28-32
60	3.0	104-122	234-254	14-17	20-24	101-111	316-336	10-11	29-33
	5.0	103-121	217-237	8-11	20-24	110-120	326-346	7-8	31-35
70	3.0	106-124	267-287	14-17	19-23	118-128	335-355	12-13	33-37
	5.0	105-123	251-271	8-11	20-24	129-139	349-369	7-8	35-39
80	3.0	108-126	305-325	13-16	19-23	137-147	357-377	13-14	37-41
	5.0	107-125	289-309	8-11	19-23	151-161	374-394	8-9	39-43
90	3.0	110-128	346-366	13-16	19-23	158-168	382-402	15-16	41-45
	5.0	109-127	332-352	7-10	19-23	Operation Not Recommended			
100	3.0	112-130	391-411	12-15	18-22				
	5.0	112-130	378-398	7-10	18-22				

024 - Temperature Pressure Operating Data

Enter Fluid Temp (°F)	Water Flow (GPM)	Cooling				Heating			
		Suction Pressure (PSIG)	Discharge Pressure (PSIG)	Water Temp Rise (°F)	Air Temp Drop (°F)	Suction Pressure (PSIG)	Discharge Pressure (PSIG)	Water Temp Drop (°F)	Air Temp Rise (°F)
30	3.0	Operation Not Recommended				55-65	256-276	8-9	18-22
	6.0					62-72	264-284	4-5	20-24
40	3.0	105-122	213-231	20-23	21-25	66-76	269-289	10-11	21-25
	6.0	102-119	178-196	10-13	21-25	76-86	279-299	5-6	23-27
50	3.0	106-123	242-260	19-22	20-24	79-89	283-303	11-12	24-28
	6.0	104-121	206-224	9-12	21-25	91-101	296-316	6-7	26-30
60	3.0	108-125	274-292	19-22	20-24	93-103	298-318	13-14	27-31
	6.0	106-123	238-256	9-12	20-24	108-118	314-334	7-8	30-34
70	3.0	110-127	309-327	18-21	19-23	109-119	315-335	14-15	30-34
	6.0	108-125	273-291	9-12	20-24	126-136	334-354	8-9	33-37
80	3.0	112-129	347-365	18-21	19-23	126-136	334-354	16-17	33-37
	6.0	110-127	312-330	9-12	19-23	147-157	357-377	9-10	37-41
90	3.0	114-131	390-408	17-20	19-23	145-155	354-374	18-19	37-41
	6.0	112-129	356-374	8-11	19-23	Operation Not Recommended			
100	3.0	116-133	436-454	16-19	18-22				
	6.0	114-131	404-422	8-11	18-22				

RL Model Series - Residential Water Source Heat Pumps



BOSCH

030 - Temperature Pressure Operating Data

Enter Fluid Temp (°F)	Water Flow (GPM)	Cooling				Heating			
		Suction Pressure (PSIG)	Discharge Pressure (PSIG)	Water Temp Rise (°F)	Air Temp Drop (°F)	Suction Pressure (PSIG)	Discharge Pressure (PSIG)	Water Temp Drop (°F)	Air Temp Rise (°F)
30	4.0	Operation Not Recommended				53-63	273-293	7-8	18-22
	7.5	Operation Not Recommended				59-69	280-300	4-5	20-24
40	4.0	102-120	200-218	19-22	21-25	64-74	287-307	9-10	21-25
	7.5	100-118	173-191	10-13	21-25	72-82	296-316	5-6	23-27
50	4.0	104-122	227-245	18-21	20-24	77-87	302-322	10-11	24-28
	7.5	102-120	201-219	9-12	21-25	87-97	314-334	6-7	26-30
60	4.0	105-123	257-275	18-21	20-24	91-101	320-340	12-13	27-31
	7.5	104-122	232-250	9-12	20-24	103-113	334-354	7-8	29-33
70	4.0	107-125	291-309	17-20	20-24	107-117	339-359	13-14	30-34
	7.5	106-124	266-284	9-12	20-24	121-131	357-377	8-9	33-37
80	4.0	109-127	328-346	16-19	19-23	124-134	360-380	15-16	34-38
	7.5	108-126	305-323	8-11	19-23	142-152	382-402	9-10	37-41
90	4.0	111-129	370-388	16-19	19-23	143-153	384-404	17-18	37-41
	7.5	110-128	349-367	8-11	19-23	Operation Not Recommended			
100	4.0	113-131	415-433	15-18	18-22	Operation Not Recommended			
	7.5	113-131	396-414	8-11	19-23	Operation Not Recommended			

036 - Temperature Pressure Operating Data

Enter Fluid Temp (°F)	Water Flow (GPM)	Cooling				Heating			
		Suction Pressure (PSIG)	Discharge Pressure (PSIG)	Water Temp Rise (°F)	Air Temp Drop (°F)	Suction Pressure (PSIG)	Discharge Pressure (PSIG)	Water Temp Drop (°F)	Air Temp Rise (°F)
30	4.5	Operation Not Recommended				49-59	257-277	7-8	17-21
	9.0	Operation Not Recommended				56-66	266-286	4-5	19-23
40	4.5	115-131	207-231	21-24	23-27	60-70	269-289	9-10	19-23
	9.0	112-128	171-195	10-13	23-27	67-77	275-295	5-6	21-25
50	4.5	116-132	234-258	20-23	22-26	71-81	278-298	10-11	22-26
	9.0	114-130	197-221	10-13	23-27	81-91	286-306	5-6	24-28
60	4.5	118-134	264-288	20-23	22-26	84-94	289-309	12-13	25-29
	9.0	116-132	227-251	10-13	22-26	96-106	299-319	6-7	27-31
70	4.5	119-135	297-321	19-22	21-25	98-108	301-321	13-14	28-32
	9.0	118-134	260-284	9-12	22-26	113-123	316-336	7-8	31-35
80	4.5	121-137	333-357	18-21	21-25	114-124	317-337	15-16	31-35
	9.0	119-135	297-321	9-12	21-25	132-142	335-355	8-9	35-39
90	4.5	122-138	372-396	18-21	21-25	131-141	334-354	17-18	35-39
	9.0	121-137	338-362	9-12	21-25	153-163	356-376	9-10	39-43
100	4.5	124-140	414-438	17-20	20-24	Operation Not Recommended			
	9.0	123-139	383-407	8-11	20-24	Operation Not Recommended			

RL Model Series - Residential Water Source Heat Pumps



BOSCH

042 - Temperature Pressure Operating Data									
Enter Fluid Temp (°F)	Water Flow (GPM)	Cooling				Heating			
		Suction Pressure (PSIG)	Discharge Pressure (PSIG)	Water Temp Rise (°F)	Air Temp Drop (°F)	Suction Pressure (PSIG)	Discharge Pressure (PSIG)	Water Temp Drop (°F)	Air Temp Rise (°F)
30	6.0	Operation Not Recommended				54-64	249-273	7-8	18-22
	10.5					59-69	254-278	4-5	19-23
40	6.0	109-125	197-221	17-20	21-25	66-76	262-286	8-9	21-25
	10.5	108-124	174-198	9-12	21-25	72-82	268-292	5-6	22-26
50	6.0	111-127	224-248	16-19	21-25	79-89	275-299	9-10	23-27
	10.5	110-126	201-225	9-12	21-25	87-97	283-307	6-7	25-29
60	6.0	112-128	255-279	16-19	20-24	94-104	290-314	11-12	26-30
	10.5	111-127	231-255	9-12	21-25	103-113	300-324	6-7	28-32
70	6.0	114-130	289-313	15-18	20-24	110-120	307-331	12-13	29-33
	10.5	113-129	266-290	9-12	20-24	122-132	320-344	7-8	32-36
80	6.0	115-131	326-350	15-18	20-24	129-139	327-351	14-15	33-37
	10.5	114-130	304-328	8-11	20-24	143-153	342-366	8-9	36-40
90	6.0	117-133	368-392	14-17	19-23	148-158	348-372	15-16	37-41
	10.5	116-132	347-371	8-11	19-23	165-175	367-391	9-10	40-44
100	6.0	119-135	413-437	14-17	19-23	Operation Not Recommended			
	10.5	118-134	394-418	8-11	19-23				

048 - Temperature Pressure Operating Data									
Enter Fluid Temp (°F)	Water Flow (GPM)	Cooling				Heating			
		Suction Pressure (PSIG)	Discharge Pressure (PSIG)	Water Temp Rise (°F)	Air Temp Drop (°F)	Suction Pressure (PSIG)	Discharge Pressure (PSIG)	Water Temp Drop (°F)	Air Temp Rise (°F)
30	8.0	Operation Not Recommended				49-69	258-278	6-7	18-22
	12.0					53-73	262-282	4-5	19-23
40	8.0	109-125	204-224	14-17	21-25	61-81	271-291	7-8	21-25
	12.0	108-124	184-204	9-12	21-25	66-86	276-296	5-6	22-26
50	8.0	111-127	230-250	14-17	21-25	75-95	286-306	8-9	24-28
	12.0	110-126	210-230	9-12	21-25	80-100	292-312	6-7	25-29
60	8.0	112-128	260-280	14-17	21-25	90-110	302-322	9-10	27-31
	12.0	111-127	239-259	9-12	21-25	97-117	310-330	6-7	28-32
70	8.0	114-130	294-314	13-16	20-24	106-126	321-341	11-12	30-34
	12.0	113-129	273-293	9-12	20-24	115-135	330-350	7-8	32-36
80	8.0	115-131	331-351	13-16	20-24	125-145	341-361	12-13	33-37
	12.0	114-130	310-330	8-11	20-24	135-155	353-373	8-9	35-39
90	8.0	117-133	372-392	12-15	19-23	145-165	364-384	13-14	37-41
	12.0	116-132	352-372	8-11	20-24	157-177	379-399	9-10	39-43
100	8.0	118-134	417-437	12-15	19-23	Operation Not Recommended			
	12.0	118-134	398-418	8-11	19-23				

Bosch Thermotechnology Corp.
Londonderry, NH • Watertown, MA • Ft. Lauderdale, FL

RL Model Series - Residential Water Source Heat Pumps



BOSCH

060 - Temperature Pressure Operating Data									
Enter Fluid Temp (°F)	Water Flow (GPM)	Cooling				Heating			
		Suction Pressure (PSIG)	Discharge Pressure (PSIG)	Water Temp Rise (°F)	Air Temp Drop (°F)	Suction Pressure (PSIG)	Discharge Pressure (PSIG)	Water Temp Drop (°F)	Air Temp Rise (°F)
30	10.0	Operation Not Recommended				49-65	264-321	6-8	21-25
	15.0					53-69	268-326	4-5	21-26
40	10.0	94-119	196-235	14-20	22-26	60-78	278-340	8-9	24-28
	15.0	94-118	181-217	9-12	22-26	64-83	284-347	5-6	25-30
50	10.0	95-121	221-267	13-19	21-25	72-93	295-361	9-10	27-32
	15.0	95-120	206-249	9-12	21-26	77-99	302-370	6-7	28-34
60	10.0	96-123	249-302	13-19	21-26	86-109	314-385	10-12	30-36
	15.0	97-122	234-284	9-13	21-25	92-117	323-396	7-8	31-37
70	10.0	98-125	281-342	12-18	21-25	101-128	336-412	11-13	34-40
	15.0	98-124	266-323	8-13	21-25	109-137	347-425	8-9	35-42
80	10.0	99-127	316-384	12-18	20-24	119-148	360-440	12-15	37-44
	15.0	100-126	303-366	8-11	20-24	128-159	373-456	8-10	39-46
90	10.0	101-129	355-431	12-18	20-24	138-170	386-472	13-16	41-49
	15.0	101-128	343-413	8-11	20-24	150-184	402-489	9-11	44-52
100	10.0	103-132	398-481	12-16	19-23	Operation Not Recommended			
	15.0	103-130	387-464	8-11	20-24				

070 - Temperature Pressure Operating Data									
Enter Fluid Temp (°F)	Water Flow (GPM)	Cooling				Heating			
		Suction Pressure (PSIG)	Discharge Pressure (PSIG)	Water Temp Rise (°F)	Air Temp Drop (°F)	Suction Pressure (PSIG)	Discharge Pressure (PSIG)	Water Temp Drop (°F)	Air Temp Rise (°F)
30	12.0	Operation Not Recommended				52-68	252-309	5-7	22-26
	16.0					54-70	255-313	4-5	22-27
40	12.0	97-123	185-225	13-17	22-27	63-81	265-327	7-8	25-29
	16.0	97-122	176-214	9-14	22-27	66-85	269-332	5-6	25-30
50	12.0	98-125	209-257	12-17	22-27	76-97	281-347	8-9	27-32
	16.0	98-124	200-245	9-12	22-27	79-101	285-353	6-7	28-34
60	12.0	100-127	236-292	12-17	22-26	91-114	299-370	8-10	30-36
	16.0	99-126	227-279	9-13	22-26	94-119	304-377	7-8	32-38
70	12.0	101-129	267-329	12-16	21-26	106-133	318-394	10-12	34-40
	16.0	101-128	259-318	8-13	21-26	111-139	325-403	8-9	35-42
80	12.0	102-130	302-372	11-16	21-25	125-154	342-422	10-13	38-45
	16.0	102-130	293-359	9-12	21-26	131-162	349-432	8-10	40-47
90	12.0	104-133	339-417	11-15	21-25	145-177	367-453	12-15	42-50
	16.0	104-132	333-405	8-11	21-25	153-187	377-464	9-11	44-52
100	12.0	105-135	382-466	10-15	20-24	Operation Not Recommended			
	16.0	105-134	376-455	8-11	20-24				

Bosch Thermotechnology Corp.
Londonderry, NH • Watertown, MA • Ft. Lauderdale, FL